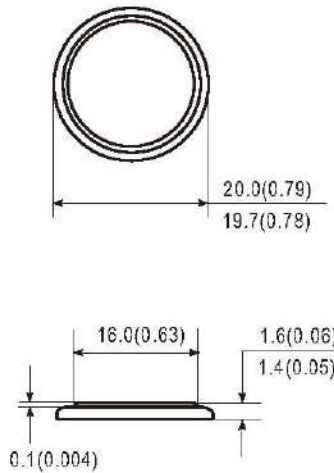


LITHIUM BUTTON CELL

Document Title: PB042016

CR2016



Unit:mm(inch)

Chemical System : Lithium/Manganese Dioxide

IEC Name: CR2016

ANSI/NEDA: 5000LC

Camelion Model : CR2016

Average Weight : 1.8g

Dimension(Ø x H): 20.0^{-0.3}x1.6^{-0.2}mm
0.79^{-0.01}x0.06^{-0.01}inch

Terminals: Flat

Nominal Voltage : 3.0Volts

Capacity : 75.0mAh

(20±2°C, Rated at 30kΩ to 2.00V)

Standard Discharge Current: 0.1mA

Max. Continuous Discharge Current: 0.3mA

Max. Pulse Discharge Current: 10.0mA

Operating Temperature: -20°C~60°C

Storage Conditions

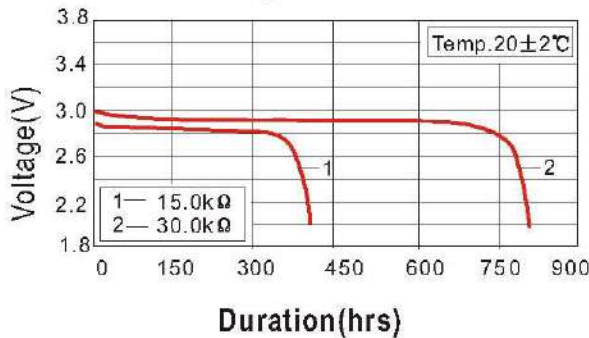
Temperature: -20°C~45°C

Relative Humidity: 60±15%

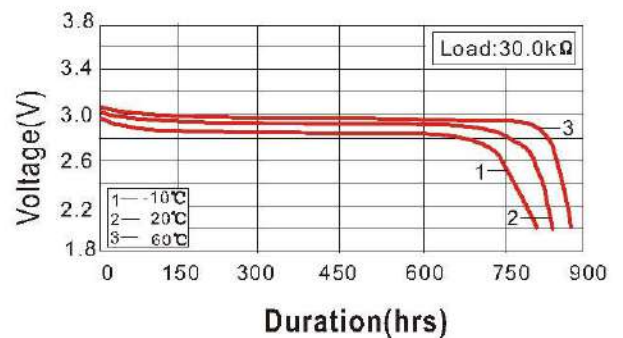
Cross Reference: E-CR2016(Energizer),

DL2016(Duracell),KECR2016(Rayovac)

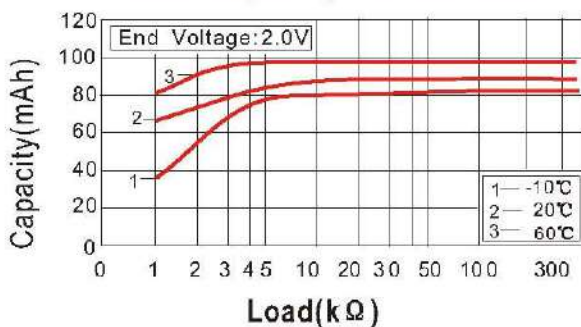
Discharge characteristics



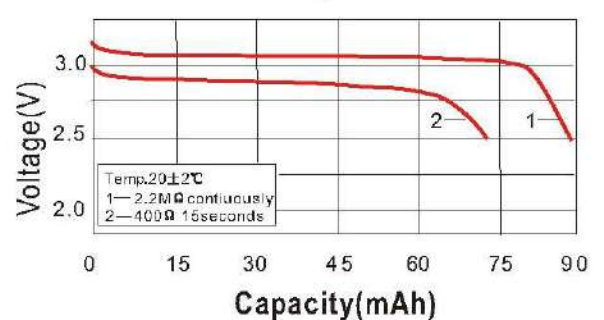
Temperature Characteristics



Load-capacity characteristic



Pulse Discharge Characteristic



Notice:

Environmental elements comply with RoHS requirements. This information is subject to change without prior notice and for reference only. It should not be used as a basis for a product guarantee or warranty. For additional information, please consult your nearest Camelion Sales Office or Distributor or visit our website at: www.camelionbattery.com.