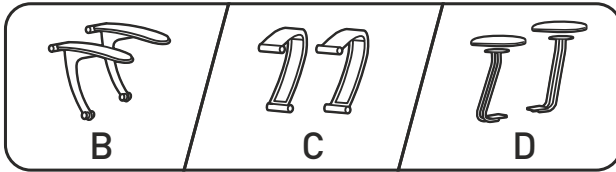
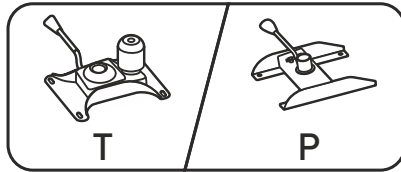
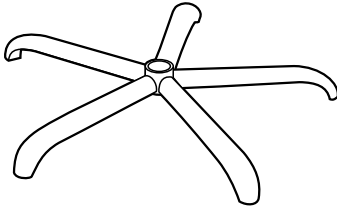
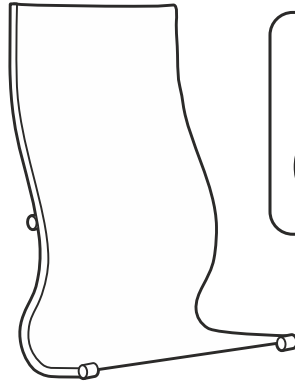


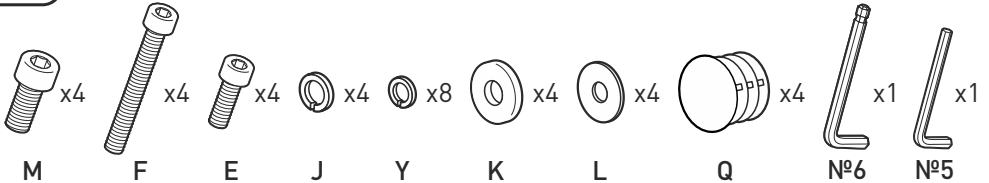


*17833



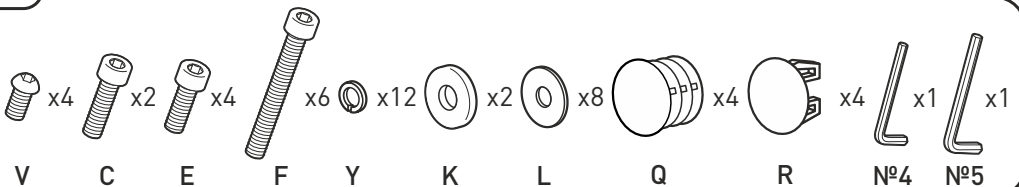
B/C

1-2-3-4-6-7



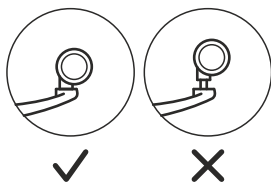
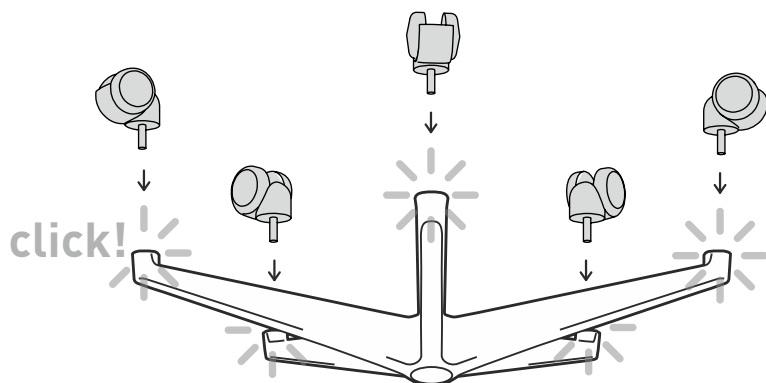
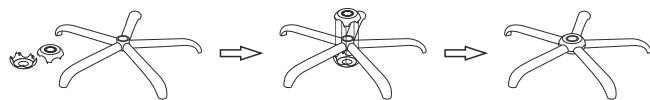
D

1-2-4-5-6-7

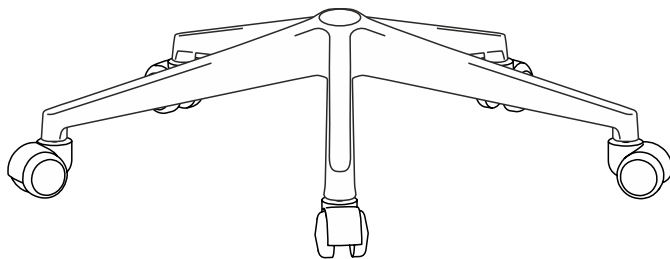


1

*17833

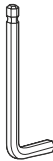

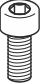




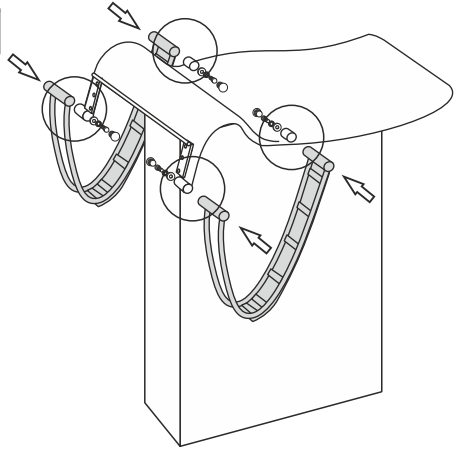
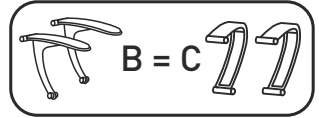
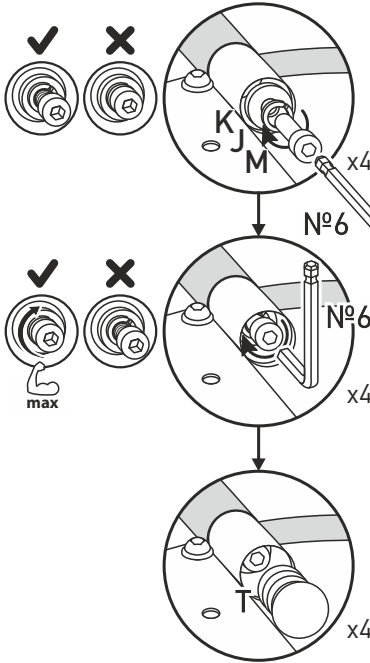
2






B/C

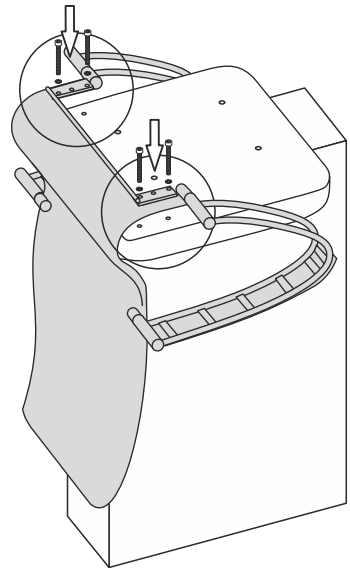
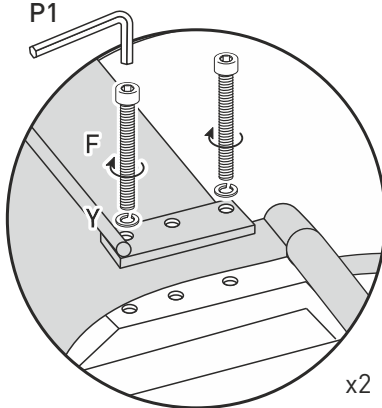
3

- N°6 
- T  x4
- M  x4
- J  x4
- K  x4



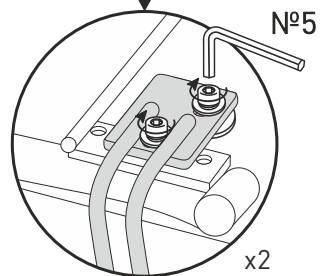
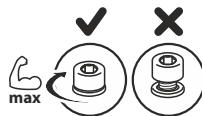
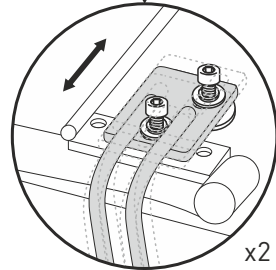
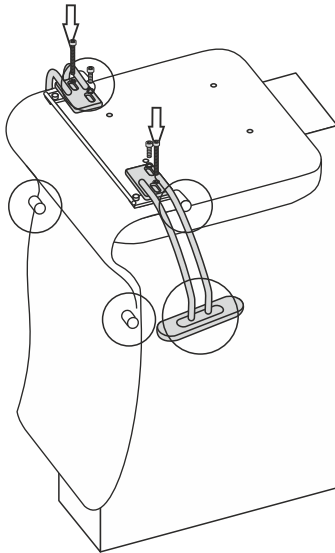
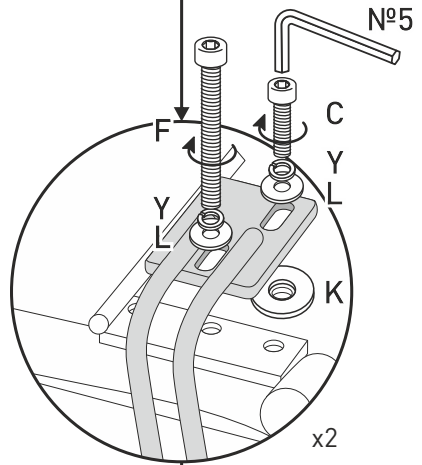
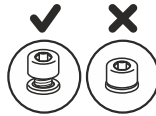
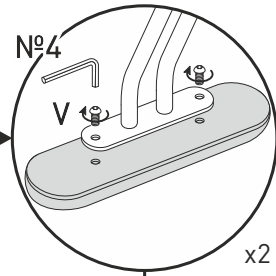
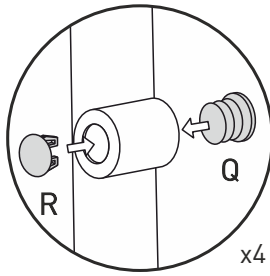
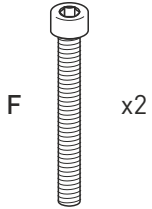
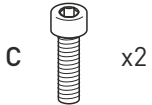
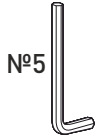
4

- P1 
- F  x4
- Y  x4

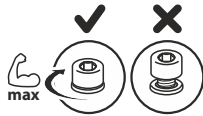
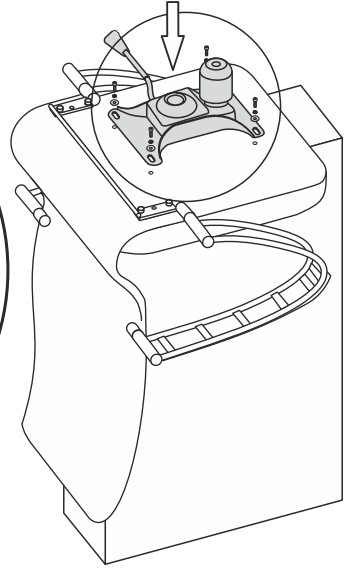
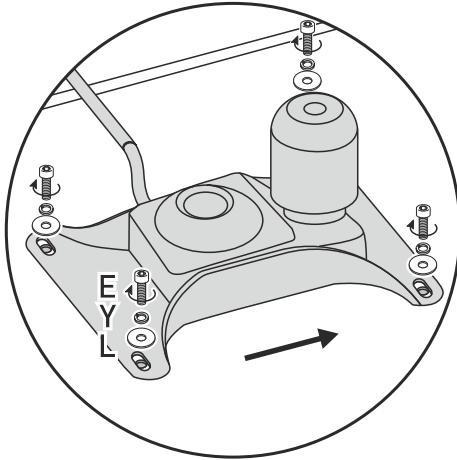
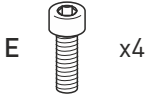
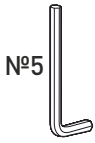


D

5



6



7

