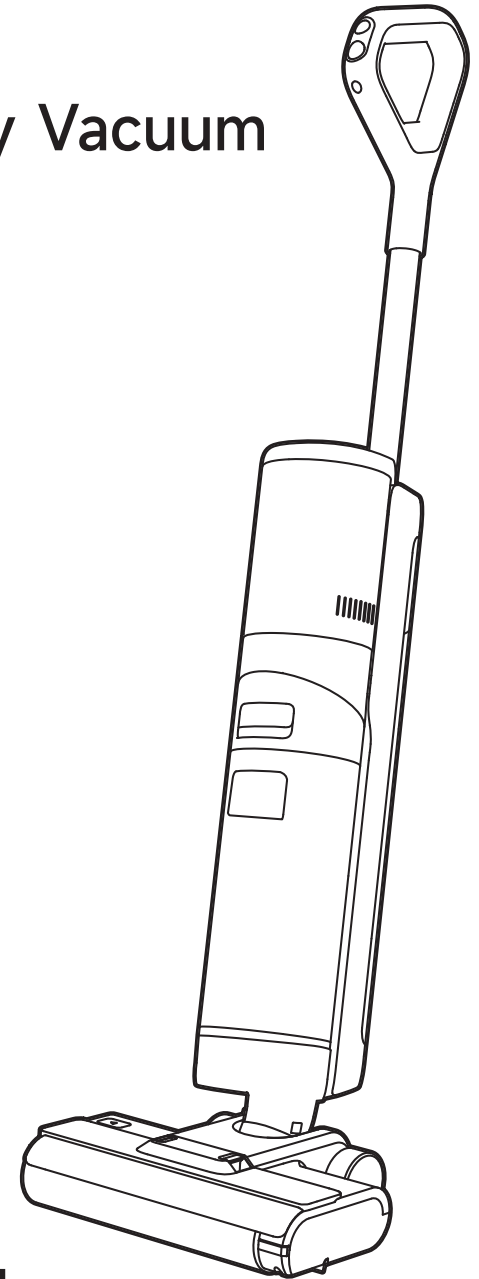


G10

Wet and Dry Vacuum



Website: <https://global.dreame.tech>
Manufactured by: Dreame Trading (Tianjin) Co., Ltd.
Made in China

RU-A01



User Manual

The illustrations in this manual are for reference only.
Please refer to the actual product.

DREAME

THANK YOU

FOR PURCHASING THIS DREAME
WET AND DRY VACUUM.

The high-quality product is engineered for optimal performance.
If you have any questions on the product, please contact us:
aftersales@dreame.tech.

Contents

EN User Manual	01
RU Руководство пользователя	20



Please scan the QR code for the User Manual.

Important Safety Instructions

Please read this manual carefully before use and retain it for future reference.

When using an electrical appliance, basic precautions should always be followed, including the following:

READ ALL INSTRUCTIONS BEFORE USING (THIS APPLIANCE). Failure to follow the warnings and instructions may result in electric shock, fire and/or serious injury.

WARNING — To reduce the risk of fire, electric shock, or injury:

Usage Restrictions

- This appliance should not be used by children younger than 8 years old nor persons with physical, sensory, intellectual deficiencies, or limited experience or knowledge with out the supervision of a parent or guardian to ensure safe operation and to avoid any risks. Cleaning and maintenance shall not be performed by children without supervision.
- Plastic film can be dangerous. To avoid the danger of suffocation, keep it away from children. Children shall not play with the appliance.
- Use indoors only, on non-carpeted floor surfaces such as vinyl, tile, sealed wood, etc. Be careful not to run over loose objects or the edges of area rugs. Stalling the brush may result in premature belt failure.
- Use only as described in this user guide. Use only manufacturer's recommended attachments.
- Do not expose the appliance to fire or excessive temperature. Exposure to fire or excessive temperature may cause an explosion.
- Do not use in extremely hot or cold environments (below 5°C/41°F or above 40°C/104°F). Please charge the appliance in temperature above 5°C/41°F and below 40°C/104°F.
- Do not immerse the appliance in liquid.
- Do not use to pick up flammable or combustible liquids, such as gasoline. Do not use in areas where flammable or combustible liquids may be present.
- Do not put any object into openings. Do not use the appliance when any opening is blocked. Keep free of dust, lint, hair, and anything that may inhibit air flow.
- Do not pick up toxic material (chlorine bleach, ammonia, drain cleaner, etc.). Do not pick up hard or sharp objects such as glass, nails, screws, coins, etc.
- Do not use the appliance in an enclosed space filled with vapor given off by oil-based paint, paint thinner, some moth-proofing substances, flammable dust, or other explosive or toxic vapour. Do not pick up anything that is burning or smoking, such as cigarettes, matches or hot ashes.
- Do not use the appliance without filters in place.
- Keep hair, loose clothing, fingers, and all parts of the body away from openings and moving parts of the appliance and its accessories.
- Keep ground cables away from the appliance when using it. A hazard may occur if the appliance runs over a supply cord.
- Use extra care when cleaning on stairs.

Important Safety Instructions

Maintenance and Storage

- Prevent unintentional starting. Ensure the switch is in the OFF-position before picking up or carrying the appliance. Carrying the appliance with your finger on the switch or turning on the appliance may result in an accident.
- Ensure that the appliance is placed on a horizontal surface. Do not use the appliance at the same position if the appliance is equipped with a brush roller and the handle is not completely upright. Do not store the appliance in a place where it may freeze.
- Switch off and unplug the appliance when not in use, before cleaning, maintaining or servicing it, and before connecting or disconnecting it with a moving brush.
- Do not use an appliance that is damaged or modified. A damaged or modified appliance may exhibit unpredictable behavior resulting in fire, explosion, or risk of injury.
- Do not modify or attempt to repair the appliance except as indicated in the instructions for use and care.
- Do not use the appliance with a damaged attachment (eg: charging base, supply cord etc.). If the appliance or attachment has been dropped, damaged, left outdoors, dropped into water, or is not working as it should, never attempt to operate it. Please have it repaired at an authorized service center.
- Have servicing performed by a qualified repair person using only identical replacement parts. This will ensure that the safety of the appliance is maintained.
- If the supply cord is damaged, it must be replaced by the manufacturer, its service agent or similarly qualified persons in order to avoid a hazard.

Battery and Charging

- For the purpose of recharging the appliance, only use the charging base provided with this appliance. Use only with HCBAR charging base.
- Follow all charging instructions and do not charge the appliance outside of the temperature range specified in the battery as doing so increases the risk of fire.
- Charging base is equipped with drying function and only suitable for drying this appliance's brush.
- Keep the charging base cable away from heated surfaces. Do not handle the charging base plug or appliance with wet hands. To unplug, grasp the charging base plug, rather than the cable.
- Do not pull or carry charging base by cable, use cable as a handle, close door on cable, or pull cable around sharp edges or corners.
- Do not use any non-rechargeable battery pack. Failing to do so may cause the lithium-ion battery to catch fire. This appliance contains batteries that can only be replaced by qualified technicians or after-sales service.
- The lithium-ion battery pack contains substances that are hazardous to the environment. Before disposing of the appliance, please first remove the battery pack, then discard, or recycle it in accordance with local laws and regulations of the country or region it is used in.

Important Safety Instructions

- The appliance must be disconnected from the power supply when removing the battery. Keep batteries out of the reach of children. Never put batteries in mouth. If swallowed, contact your physician or local poison control.
- Under abusive conditions, never contact the battery from which the liquid may be ejected. If contact accidentally occurs, rinse with water. If liquid contacts eyes, seek medical help immediately. Liquid ejected from the battery may cause irritation or burns.
- The charging base is capable of charging the 6-cell 4000 mAh battery pack. This charging base should not be used to charge non-rechargeable batteries. Failing to do so may cause the lithium-ion battery to catch fire.

Symbols



Class II equipment



Time-lag miniature fuse-link where T 3.15A is the symbol for the time/current characteristic



For indoor use only



Read operator's manual



Caution: Hot Surface



WEEE Information

All products bearing this symbol are waste electrical and electronic equipment (WEEE) as in directive 2012/19/EU) which should not be mixed with unsorted household waste. Instead, you should protect human health and the environment by handing over your waste equipment to a designated collection point for the recycling of waste electrical and electronic equipment, appointed by the government or local authorities. Correct disposal and recycling will help prevent potential negative consequences to the environment and human health. Please contact the installer or local authorities for more information about the location as well as terms and conditions of such collection points.

We, Dreame Trading (Tianjin) Co., Ltd., hereby declares that this equipment is in compliance with the applicable Directives, European Norms, and amendments. The full text of the EU declaration of conformity is available at the following internet address: <https://global.dreame.tech.com>

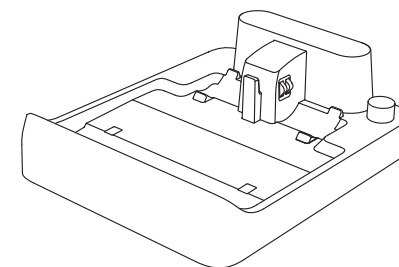
For detailed e-manual, please go to
<https://global.dreame.tech.com/pages/user-manuals-and-faqs>

Product Overview

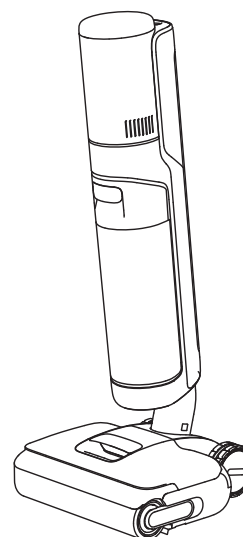
Packing List



Handle



Charging Base

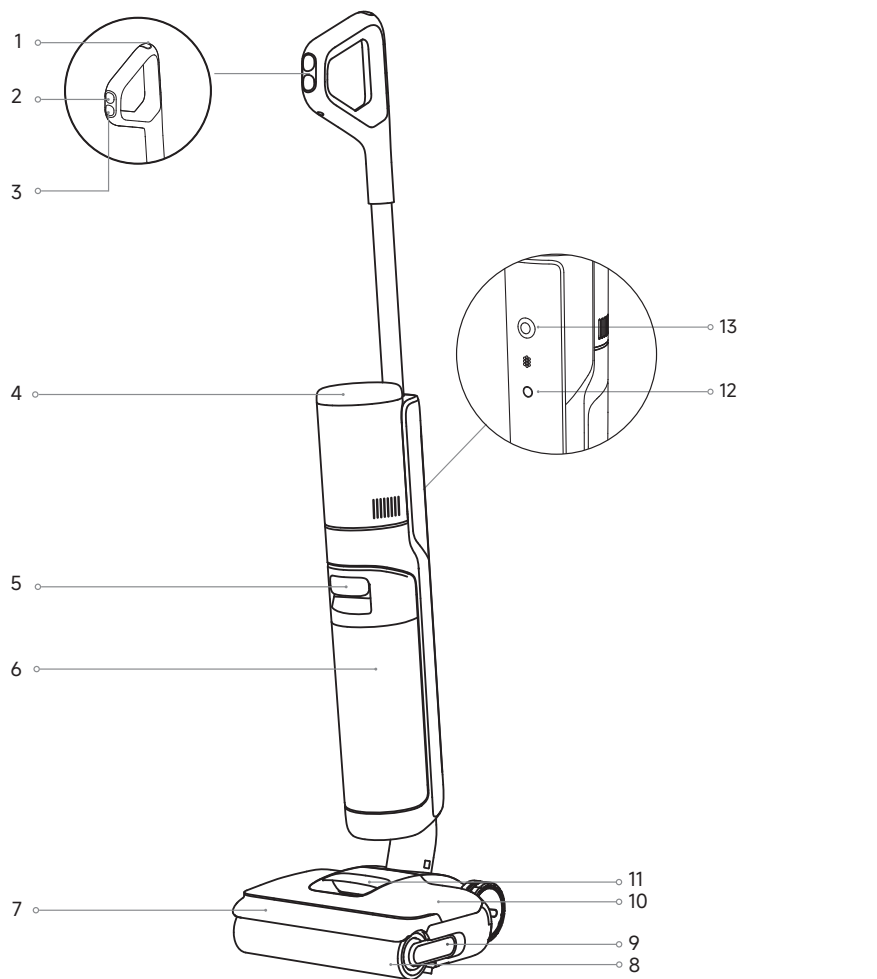


Main Body



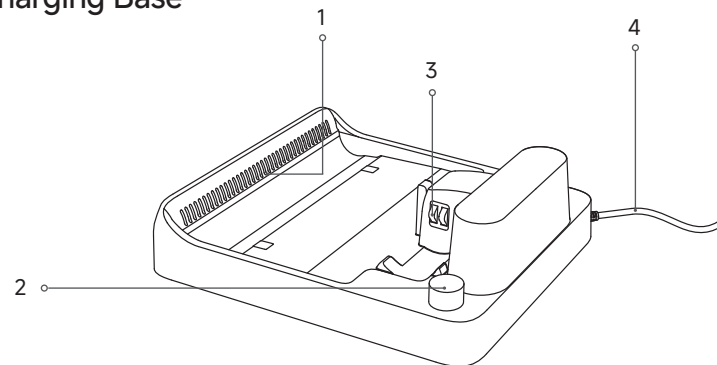
Cleaning Brush

Vacuum



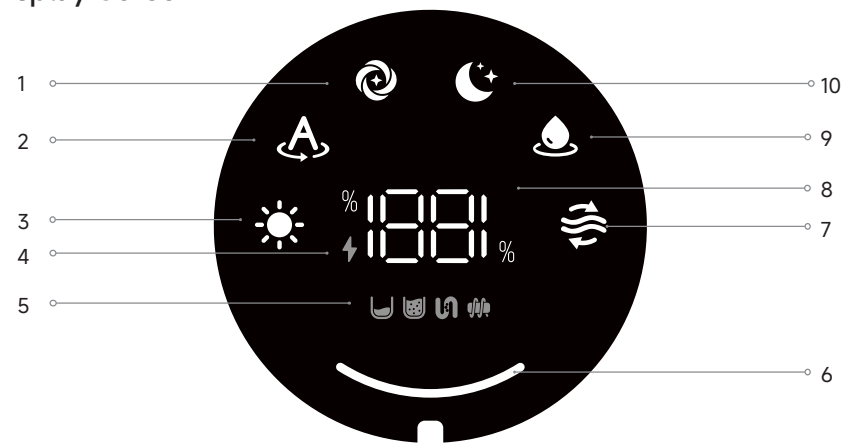
- | | | | | | | |
|---|------------------------|----|---------------------|---|-------------------------|-----------------------|
| 1 | Self-Cleaning Button | 6 | Used Water Tank | 11 | Clean Water Tank Handle | |
| 2 | Mode Switch | 7 | Roller Brush Cover | 12 | Voice Prompt Button | |
| 3 | Power Switch | 8 | Roller Brush | <ul style="list-style-type: none"> • Press briefly to activate the voice prompt or adjust the volume • Press and hold for 3 seconds to switch between languages | 13 | Omnidirectional Wheel |
| 4 | Display Screen | 9 | Roller Brush Handle | | | |
| 5 | Used Water Tank Handle | 10 | Clean Water Tank | | | |

Charging Base



- 1 Air-Drying Outlet 2 Accessory Storage Slot 3 Charging Contacts 4 Power Cord

Display Screen



- | | | |
|----------------------|--|--|
| 1 Turbo Mode | 5 Error Messages | 7 Self-Cleaning Mode |
| 2 Smart Mode | Insufficient clean water | 8 Battery Indicator |
| 3 Drying Mode | Used water tank full | <ul style="list-style-type: none"> • Solid Orange: Battery level ≤ 20% • Off: Battery level > 20% |
| 4 Charging Indicator | Tube clogged | 9 Suction Mode |
| | Roller brush stuck | 10 Quiet Mode |
| | Roller brush and tube dirty | |
| | 6 Dust Concentration & Self-Cleaning/Drying Progress | |

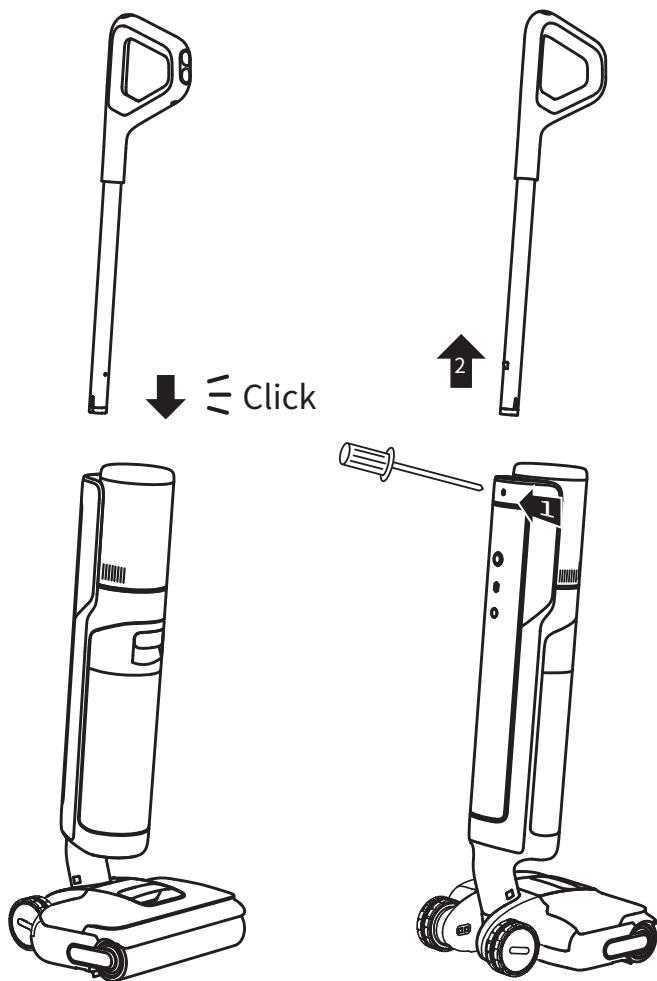
Note:

- The display screen will show an error message if the appliance is not working properly. Please refer to the Error Prompts and Solutions table to find your solution.
- For reference only. The actual appearance and display screen of the product shall prevail.

Installation

Install the Handle

Insert the end of the handle vertically into the slot on the top of the appliance as indicated until you hear a click.



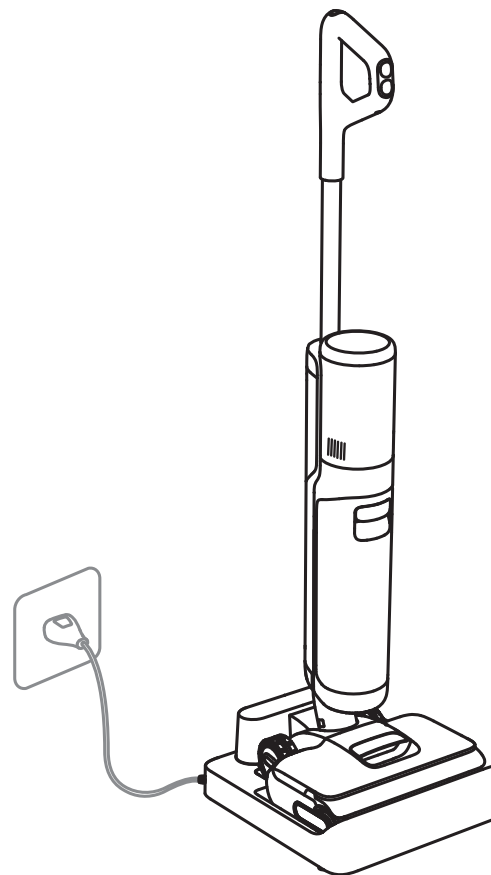
Note: To disassemble, extend a hard object into the hole of the appliance as indicated to press the contacts and pull the handle upward at the same time.

Charging

1. Place the charging base against a wall on level ground and connect it to a power source. Fully charge the appliance before first use.
2. Place the appliance on the charging base. When the number on the display screen reaches 100, the battery is fully charged.

⚡ Charging/Low Battery Indicator

- Orange Breathing: Battery level \leq 20% (charging)
- Green Breathing: Battery level $>$ 20% (charging)
- Solid Green: Full charged




Note:


- If there is no operation within 10 minutes of being fully charged, the appliance will enter sleep mode. Please restart the appliance when you need to use it again.
- To prolong its life, the battery will automatically cool down (for approximately 1 hour) before recharging after the product has been running continuously for a long time. (cooling time is about 1 hour).


How to Use


Switch Modes

Press  to switch modes based on your needs.

- 

Turbo Mode
 The appliance will vacuum the stubborn stains on the floor.
- 

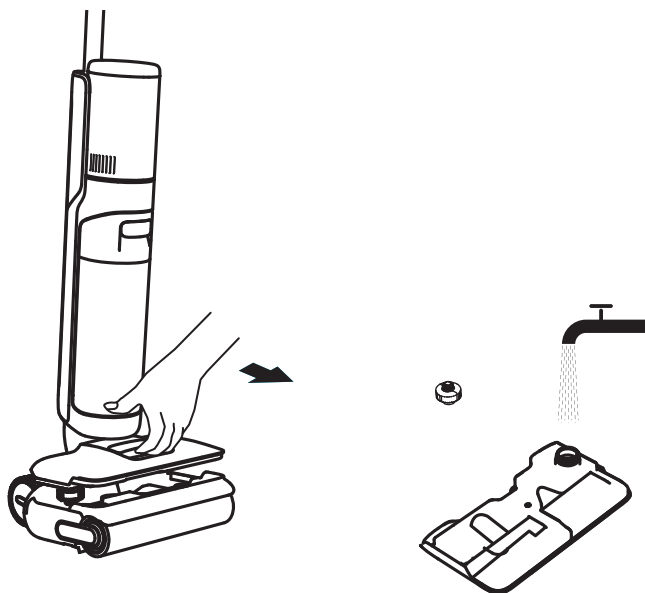
Smart Mode
 The appliance will intelligently adjust the suction power according to the stains on the ground.
- 

Quiet Mode
 The appliance will maintain moderate suction power and low noise level.
- 

Suction Mode
 Sucks up a large amount of water from the floor.



Fill the Clean Water Tank

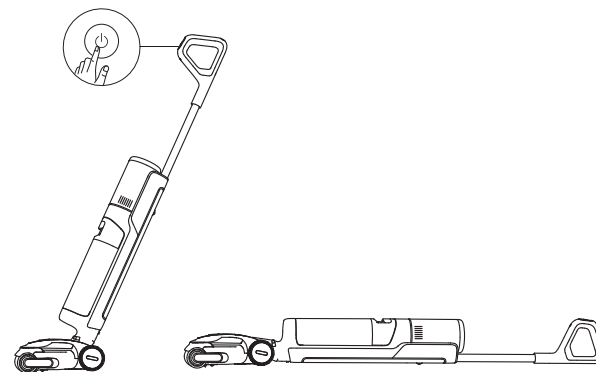
Remove the clean water tank. Open the tank cover and fill the tank with sufficient clean water. Re-install the tank and ensure it clicks into place.



How to Use

Start Cleaning

Gently step on the brush cover and recline the appliance backward. Press  to start cleaning. Press  to switch modes based on your needs.

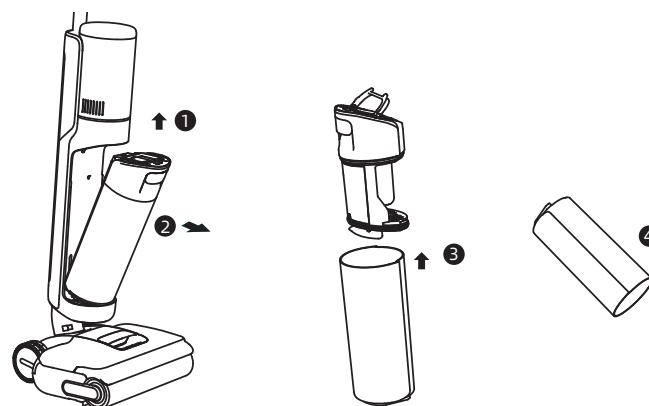


Note:



- Do not vacuum any foamy liquids.
- If the appliance is in the upright position while working, the current task will be suspended.
- The appliance is only suitable for cleaning hard surfaces such as wood floors, marble, and tiles.
- Please press the brush against the floor when using.
- Do not lift or move the appliance while in operation to prevent dirty water from flowing back into the motor.
- Do not add any liquids other than the officially-approved cleaner. The cleaner can be available on the official online store. Refer to the cleaning solution label for specific usage instructions.

Empty the Used Water Tank

Pull the tank handle to take out the used water tank. Remove the tank cover and pour out the used water. Re-install the tank and ensure it clicks into place.

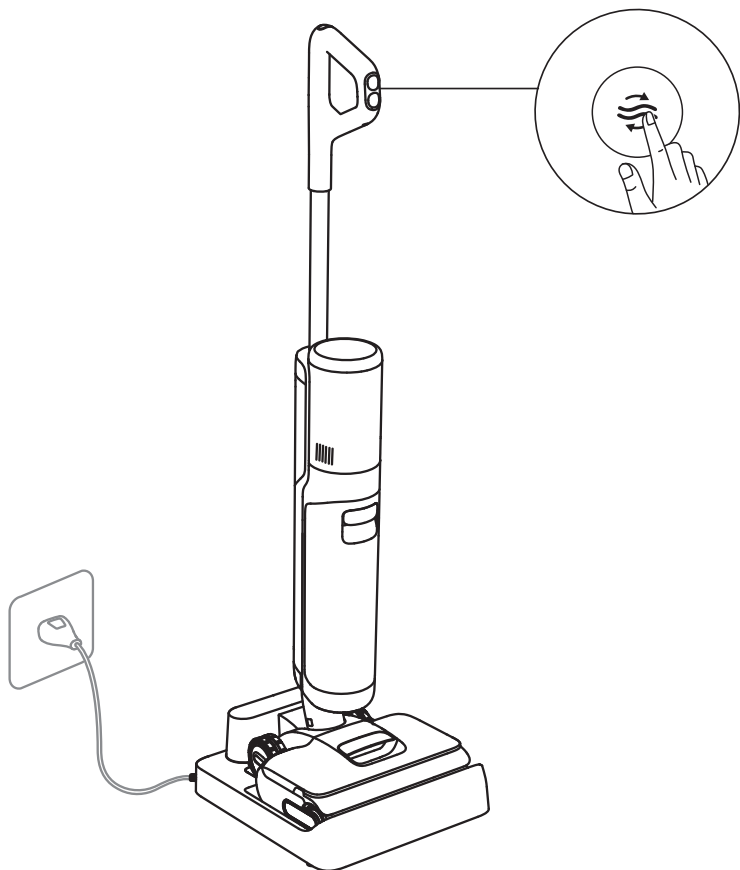


Self-Cleaning Mode

1. After cleaning, promptly return the appliance to the base and ensure the clean water tank is sufficiently filled.
2. Briefly press  on the top of the handle to start/stop self-cleaning. Switch the drying mode according to the voice prompts.
3. After self-cleaning is complete, the appliance will automatically enter drying mode; please promptly empty the used water tank. To exit drying mode, press .

Drying Mode

1. Press and hold the self-cleaning button  for 3 seconds to activate drying mode.
2. The appliance will be charged once drying is completed.



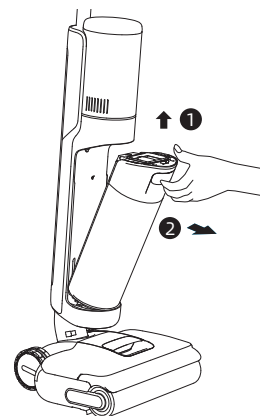
Note: Self-cleaning can be enabled only when the appliance is being charged and the battery level is more than 20%.

Tips

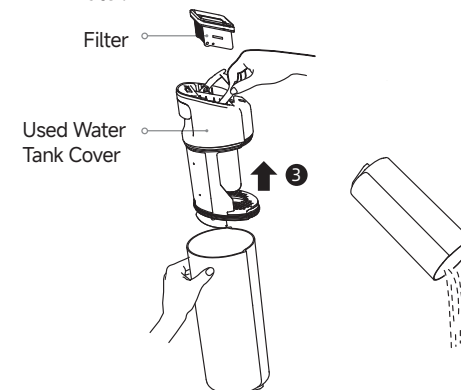
- Turn off the appliance before maintenance. Be careful not to accidentally press the power button.
- Replace parts if needed. The parts must be replaced by those available from the manufacturer or its service agent.
- If the appliance is unused for an extended period, fully charge it, disconnect the power plug, and store it in a cool, dry place away from direct sunlight. Charge the appliance at least once every 3 months to prevent the battery from over-discharging.

Clean the Used Water Tank

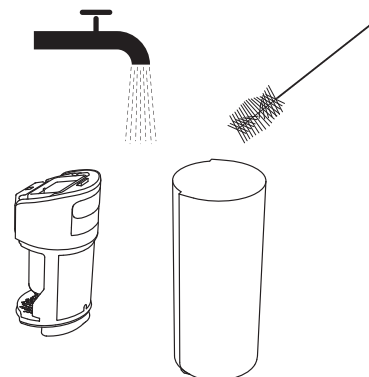
1. Pull the tank handle to remove the used water tank.



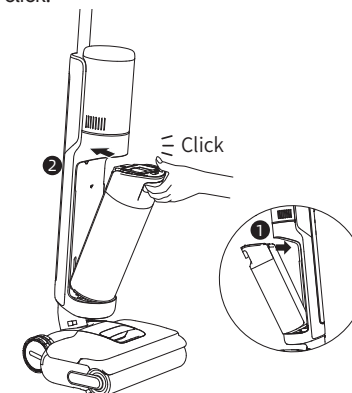
2. Remove the filter from the tank cover. Lift the cover and pour out the used water.



3. Rinse the tank and tank cover with clean water. Use the provided cleaning brush to scrub the inner walls of the tank.



4. Re-install the filter and tank cover. Then, re-install the used water tank until you hear a click.

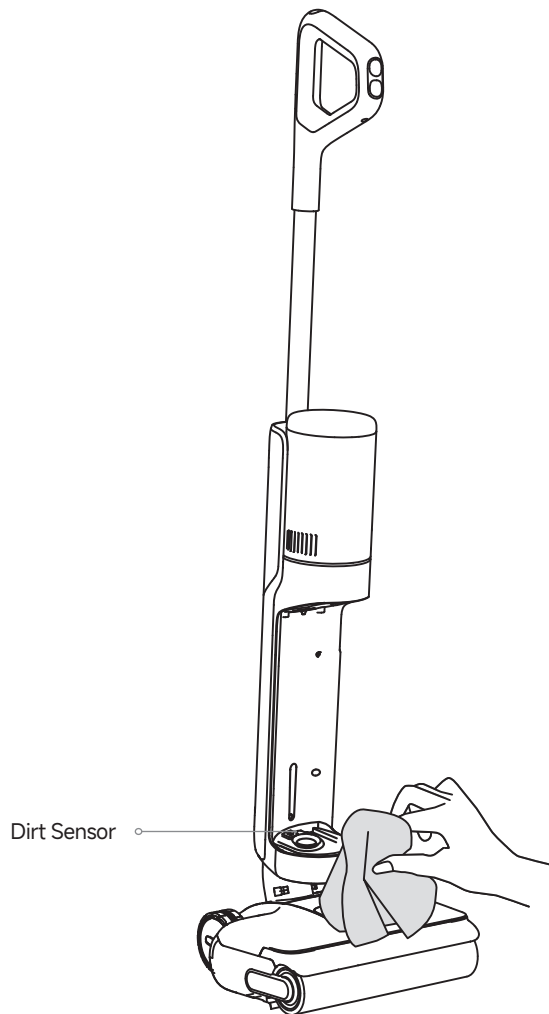


Note:

- If the filter is dirty, rinse it with clean water and dry it completely before use.
- Replacing the filter every 3 to 6 months is recommended.

Clean the Tube and the Dirt Sensor

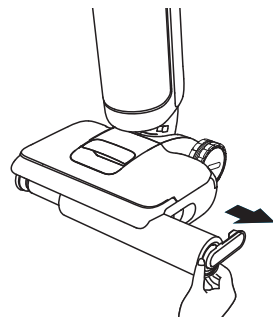
Remove the used water tank and gently wipe the tube and the dirt sensor with a wet cloth.



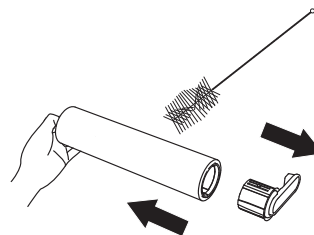
Note: Do not rinse the tube or the dirt sensor with water.

Clean the Brush Assembly

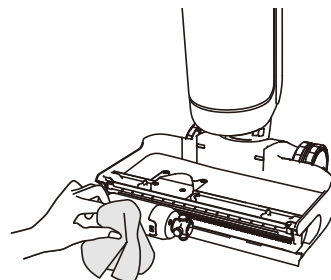
1. Pull the handle to remove the roller brush.



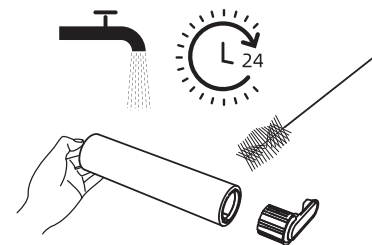
3. Replacing the roller brush every 3 to 6 months is recommended. Remove the roller brush handle to replace it with a new roller brush, and press it firmly into place.



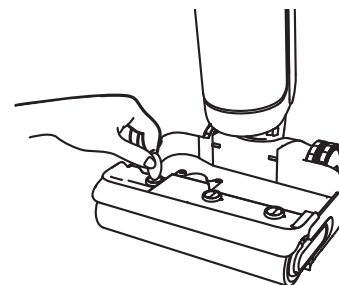
5. Wipe the suction inlet with a dry cloth or wet tissue. Do not rinse it with water.



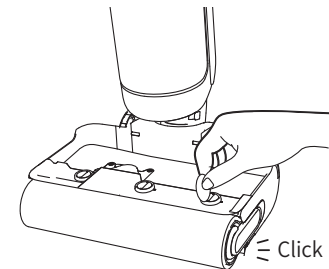
2. Use the provided cleaning brush to clean the roller brush, then rinse the roller brush with clean water and dry it completely.



4. Use a coin to turn the locking knobs on the roller brush cover to detach it.



6. Re-install the roller brush and handle until you hear a click. Re-lock the brush cover.



If an error occurs, the appliance will stop working. Please refer to the following table for troubleshooting. If the problem persists, please contact the customer service.






Issue	Possible Cause	Solution
The appliance does not work.	The appliance is out of battery or its battery level is low.	Fully charge the appliance before use.
	The appliance is in the upright position.	Recline the appliance backward.
	Overheat protection is activated due to blockage.	Clear the blockage and wait until the temperature returns normal.
	The used water tank is full.	Empty the used water tank.
	The parts are not installed in place.	Ensure all parts are installed in place.
The appliance charges slowly.	The temperature of the battery is too low or too high.	Wait until the battery's temperature returns normal.
The suction power of the appliance is weak.	The filter is clogged.	Cleaning the filter.
	The suction inlet or tube is blocked by a foreign object.	Clean the tube and the suction inlet.
The motor is making a strange noise.	There is too much dirty water in the used water tank.	Empty the used water tank.
	The suction inlet is blocked.	Clear any blockage in the suction inlet.
The dust concentration indicator is solid red.	The dirt sensor needs cleaning.	The dirt sensor is in the tube. Follow the cleaning instructions.
	The cleaning solution concentration is too high.	Dilute the cleaning solution with water at the recommended ratio.
	A third-party cleaning solution caused a large amount of foam.	Use only the officially-approved cleaning solution.
The display screen does not light up while charging.	The charging base plug is not inserted into the electrical outlet properly.	Make sure the charging base plug is inserted in place.
	The appliance is not properly placed on the charging base.	Make sure the appliance is properly placed on the charging base.
No water is coming out of the appliance.	The clean water tank is not properly installed, or the water in it is insufficient.	Re-install or fill the clean water tank.
	It takes 30 seconds to dampen the brush roller.	Check again after a while.

The air outlet leaks water.	A collision or a sharp pull causes water to enter the motor.	Move the appliance gently back and forth while it is turned on.
	The filter is not completely dry after being cleaned.	Dry the filter completely before use.
Self-cleaning fails.	The roller brush may be jammed by large debris.	Remove the roller brush cover to check and clean the roller brush.
	The appliance is not properly placed on the charging base.	Make sure the appliance is being charged before enabling the self-cleaning function.
	Self-cleaning cannot be enabled if the battery level is lower than 20%.	Self-cleaning can only be enabled while the appliance is being charged and the battery level is more than 20%.
	The used water tank is full.	Empty the used water tank.
	The clean water tank is not installed in place, or the water in it is insufficient.	Re-install or fill the clean water tank.
Poor drying performance or strange noise occurs while drying.	The air outlet and air inlet of the charging base may be blocked.	Check and clear the blockage of air outlet and air inlet.

For additional services, please contact us via aftersales@dreame.tech
 Website: <https://global.dreametech.com>

Error Prompts and Solutions

If the appliance is not working properly, the screen display will show an error message. Please refer to the below table to find your solution.

Error Icon	Possible Cause	Solution
	Clean water is insufficient.	Fill the clean water tank.
	Used water tank is full.	Empty the used water tank.
	Roller brush is stuck.	Clean the roller brush.
	Tube is clogged.	Refer to the Care & Maintenance section to clean the tube and dirt sensor (below the used water tank).
	The brush roller and tube are dirty.	Place the appliance back onto the base for self-cleaning.

Error Code	Possible Cause	Solution
E1-E7	Malfunction	Restart the appliance. If the problem persists, please contact the customer service.
H1-H6		
H7	Battery overheating	Wait until the battery's temperature returns normal.

Specifications

Vacuum			
Model	HHR44A	Rated Power	400 W
Rated Voltage	21.6 V ---	Charging Voltage	27 V ---
Clean Water Tank Capacity	780 mL	Used Water Tank Capacity	700 mL
Charging Time	Approx. 4 hours	Run Time	50min (Quiet Mode)
Charging Base			
Model	HCBAR	Rated Power Input*	380 W
Rated Input	220-240 V ~ 50-60 Hz	Rated Output	27 V ---1.6 A

* The rated input power refers to the power measured during a representative cycle for entering the drying mode.

Battery Disposal and Removal

The built-in lithium-ion battery contains substances that are hazardous to the environment. Before disposing of the battery, make sure the battery is removed by qualified technicians and discarded at an appropriate recycling facility.

- The battery must be removed from the appliance before it is scrapped.
- The appliance must be disconnected from the supply mains when removing the battery.
- The battery is to be disposed of safely.

CAUTION:

- Before removing the battery, disconnect the power and discharge it as much as possible.
- Unneeded batteries should be discarded at an appropriate recycling facility.
- Avoid exposing the battery to high temperatures to prevent the risk of explosion.
- Under abusive conditions, the battery may leak liquid. If contact occurs, rinse with water and seek medical assistance.

Removal Guide

1. Use tools to remove the display screen.
2. Use tools to remove the screws securing the battery pack cover, and then pry open the cover.
3. Unplug the terminals connecting the battery to the mainboard, and then remove the battery.

Warranty

1. Dreame is liable to the consumer for any lack of conformity in material or workmanship not detectable at the time of the purchase.
2. Warranty period: please refer to the customer service office for more information. If the territory where the consumer is located has different regulations, local regulations prevail.
3. The warranty will not be applicable in the following cases:
 - a) Issues due to carelessness, use, or installation that does not comply with the instructions provided by Dreame.
 - b) Tampering and/or modifications of the product by entities or individuals not expressly authorized by Dreame.
 - c) Damage due to accidental causes and/or negligence on the part of the consumer, with particular reference to external parts.
 - d) Parts subject to wear that do not have manufacturing defects.
 - e) No valid purchasing document (receipt, invoice, or other) is provided to certify the date the product was purchased.
 - f) The model and/or numbers of the product on the purchase certificate is not consistent with the model and/or numbers shown on the product.
4. For more warranty information, please refer to the official Dreame website: <https://global.dreametech.com>

Важные меры предосторожности

Перед использованием внимательно прочтите данную инструкцию. Сохраните ее для дальнейшего использования в справочных целях.

Во время использования электрических приборов необходимо всегда соблюдать базовые меры предосторожности, включая те, что описаны ниже.

ПЕРЕД ИСПОЛЬЗОВАНИЕМ ДАННОГО УСТРОЙСТВА ПРОЧИТАЙТЕ ВСЕ ИНСТРУКЦИИ.

Нарушение предупреждений и инструкций может привести к поражению током, возгоранию или серьезным травмам.

ВНИМАНИЕ! Для снижения риска возгорания, поражения током или травм:

Ограничения по использованию

- Не допускайте использования этого устройства детьми младше 8 лет, а также лицами с ограниченными физическими, сенсорными или умственными способностями или с ограниченным опытом или знаниями без присмотра родителя или опекуна для обеспечения безопасной эксплуатации и во избежание рисков. Не позволяйте детям осуществлять чистку и техническое обслуживание устройства без присмотра.
- Пластиковый защитный материал может быть опасен. Не храните его рядом с детьми во избежание удушья. Дети не должны играть с устройством.
- Используйте устройство только в помещении и на таких нековровых поверхностях, как ПВХ, плитка, ламинат и др. Пылесос не должен проезжать по незакрепленным предметам либо вдоль краев ковров. Заклинивание щетки может привести к повреждению ремня раньше срока.
- Используйте устройство только согласно инструкциям, приведенным в данном руководстве по эксплуатации. Используйте только принадлежности, рекомендованные производителем.
- Запрещается подвергать устройство воздействию огня либо высокой температуры. При контакте с огнем или при высокой температуре может произойти взрыв.
- Не используйте устройство в экстремально жарких или холодных условиях (при температуре ниже 5 °C/41 °F или выше 40 °C/104 °F). Заряжайте устройство при температуре выше 5 °C/41 °F и ниже 40 °C/104 °F.
- Запрещается погружать устройство в жидкость.
- Запрещается использовать устройство для уборки легко воспламеняющихся или горючих жидкостей, например бензина. Запрещается использовать устройство в местах, где могут быть вышеуказанные жидкости.
- Запрещается вставлять какие-либо предметы в отверстия. Запрещается использовать устройство в случае засорения какого-либо из его отверстий. Удаляйте пыль, ворсинки, волосы и другие элементы, которые могут препятствовать потоку воздуха через отверстия.
- Не используйте пылесос для уборки токсичных веществ (отбеливателя, аммиака, пятновыводителя и т. п.). Запрещается собирать с помощью пылесоса стекло, гвозди, болты, монеты и т. п.
- Запрещается использовать устройство в замкнутых пространствах, заполненных воспламеняющейся пылью, испарениями от масляной краски, разбавителя, средства от моли или другими взрывоопасными или токсичными парами. Запрещается собирать горящие либо дымящиеся предметы, например сигареты, спички либо пепел.
- Запрещается использовать устройство без установленных фильтров.
- Держите волосы, свободную одежду, пальцы и другие части тела на расстоянии от отверстий и движущихся деталей устройства и его принадлежностей.
- Во время использования устройства уберите все шнуры питания с пола, так как в случае наезда на них может возникнуть опасность.
- Будьте предельно осторожны во время очистки лестницы.

Важные меры предосторожности

Обслуживание и хранение

- Не допускайте непреднамеренных запусков. Перед тем, как поднимать либо переносить устройство, убедитесь, что выключатель находится в позиции ВЫКЛ. Перенос устройства с зажимом выключателя либо во включенном состоянии может привести к несчастным случаям.
- Убедитесь, что устройство размещено на горизонтальной поверхности. Запрещается использовать устройство в аналогичной позиции, если оно оснащено щеточным роликом, а ручка находится не в полностью вертикальном положении. Запрещается хранить устройство в месте, где возможно его замораживание.
- Выключайте устройство и отсоединяйте его от розетки, когда оно не используется, перед очисткой, ремонтом или обслуживанием, а также перед подсоединением или отсоединением вращающейся щетки.
- Запрещается использовать поврежденное или модифицированное устройство. Поврежденные или модифицированные аккумуляторы могут вести себя непредсказуемо и вызвать возгорание, взрыв либо риск получения травм.
- Запрещается модифицировать либо чинить устройство способами, отличными от указанных в руководстве по использованию и уходу.
- Запрещается использовать устройство с поврежденными деталями (например, с поврежденной базой для зарядки, кабелем и др.). Если устройство или какой-либо из его элементов был уронен, поврежден, оставлен вне помещения под атмосферными осадками, погружен в воду или не работает должным образом, ни в коем случае не используйте его. Необходимо обратиться в уполномоченный сервисный центр для их ремонта.
- Выполняйте техобслуживание только с помощью квалифицированного техперсонала и используйте только идентичные детали для замены. Это позволит гарантировать безопасность устройства.
- Во избежание опасности, заменой поврежденного кабеля питания должен заниматься производитель, сервисный агент или лица с аналогичной квалификацией.

Аккумулятор и зарядка

- Для подзарядки устройства используйте только базу для зарядки, поставляемую в комплекте с устройством. Используйте только базу для зарядки HCBAR.
- Следуйте инструкциям по зарядке и не заряжайте устройство в среде с температурой выше указанной на аккумуляторе, так как это повышает риск возгорания.
- База для зарядки оснащена функцией сушки и подходит только для просушки щетки устройства.
- Держите базу для зарядки вдали от нагретых поверхностей. Запрещается трогать разъем базы для зарядки и устройство влажными руками. Чтобы вытащить разъем базы для зарядки, возьмитесь за него, а не дергайте за кабель.
- Запрещается тащить и нести базу для зарядки с помощью кабеля, а также использовать его в качестве ручки, прижимать его дверью или обматывать вокруг острых краев и углов.
- Не используйте непозаряжаемый аккумуляторный блок. Невыполнение этого требования может привести к возгоранию литий-ионной батареи. Данное устройство оснащено аккумулятором, замену которого должны выполнять только квалифицированные технические специалисты или представители послепродажного обслуживания.

Важные меры предосторожности

- В литий-ионном аккумуляторном блоке содержатся опасные для окружающей среды элементы. Перед утилизацией устройства сначала извлеките аккумуляторный блок, после чего устройство можно утилизировать или переработать в соответствии с местными законами и правилами, действующими в стране или регионе применения.
- Перед извлечением аккумулятора необходимо отключить устройство от источника энергии. Храните аккумуляторы в недоступном для детей месте. Запрещается класть аккумуляторы в рот. В случае проглатывания свяжитесь со своим врачом либо местным отделом контроля опасных веществ.
- В случае повреждения аккумулятора не прикасайтесь к нему, так как из него может вытекать опасная жидкость. Если контакта не удалось избежать, промойте пораженное место водой. В случае попадания аккумуляторной жидкости в глаза, немедленно обратитесь за медицинской помощью. Аккумуляторная жидкость может вызывать раздражение или ожог.
- База для зарядки способна заряжать 6-элементный аккумулятор емкостью 4000 мА·ч. Эту базу для зарядки нельзя использовать для зарядки непозаряжаемых аккумуляторов. Невыполнение этого требования может привести к возгоранию литий-ионной батареи.

Знаки



Оборудование класса II



Миниатюрная плавкая вставка с задержкой срабатывания, где T 3.15A является символом время-токовой характеристики.



Только для использования в помещении



Прочитать руководство по эксплуатации



Внимание! Горячая поверхность



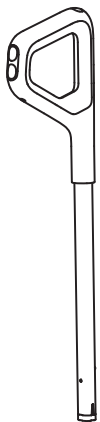
Информация об утилизации и переработке отходов электрического и электронного оборудования

Все устройства с символом отдельного сбора отработанного электрического и электронного оборудования (Директива WEEE 2012/19/EU) следует утилизировать отдельно от несортируемых бытовых отходов. С целью охраны здоровья и защиты окружающей среды такое оборудование необходимо сдавать на переработку в специальные пункты приема электрического и электронного оборудования, определенные правительством или местными органами власти. Правильная утилизация и переработка помогут предотвратить возможные негативные последствия для окружающей среды и здоровья человека. Для получения информации о местонахождении и порядке приема устройств в пунктах приема обратитесь в компанию, занимающуюся установкой оборудования, или в местные органы власти.

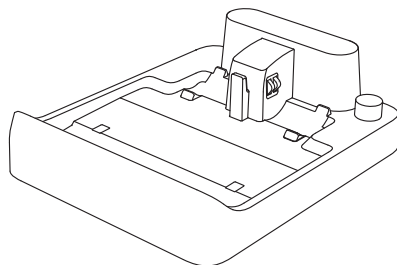
Мы, компания Dreame Trading (Tianjin) Co., Ltd., настоящим заявляем, что данное устройство соответствует требованиям всех действующих директив ЕС и европейских стандартов со всеми изменениями и дополнениями. Полный текст декларации о соответствии нормативным требованиям ЕС доступен по следующему адресу: <https://global.dreametech.com>

Подробное электронное руководство см. по адресу <https://global.dreametech.com/pages/user-manuals-and-faqs>

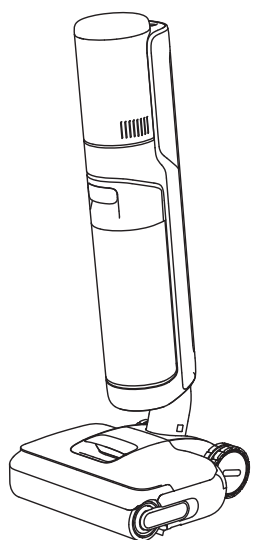
Комплектация



Ручка



База для зарядки

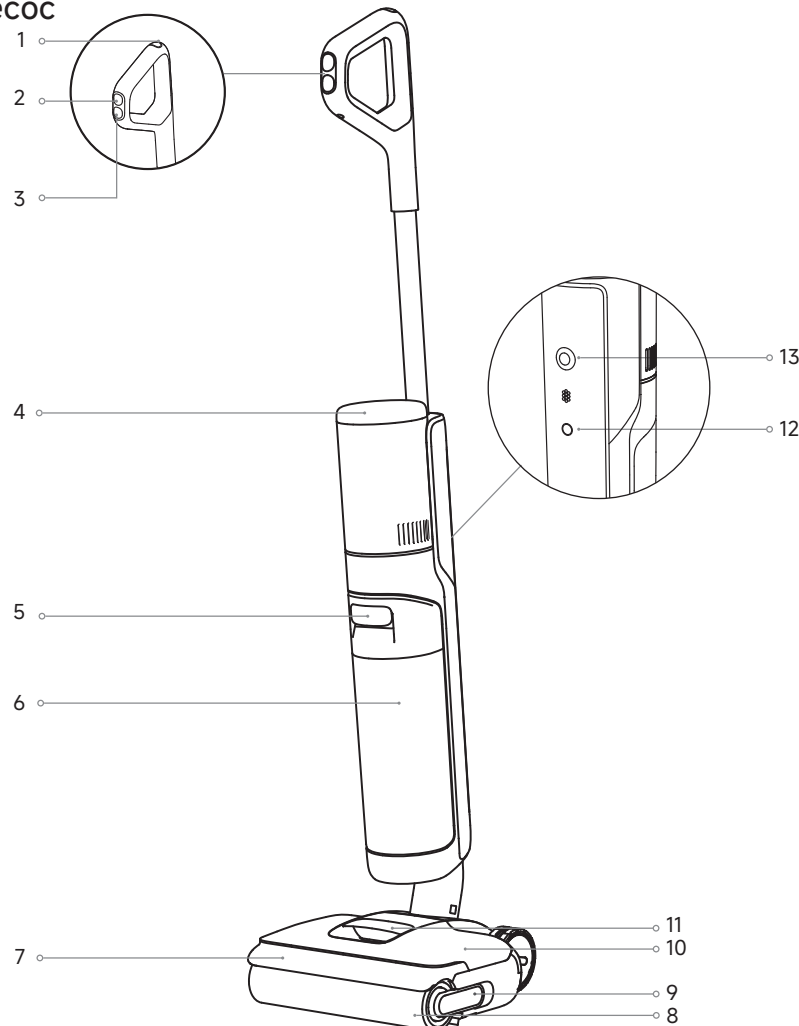


Основной корпус



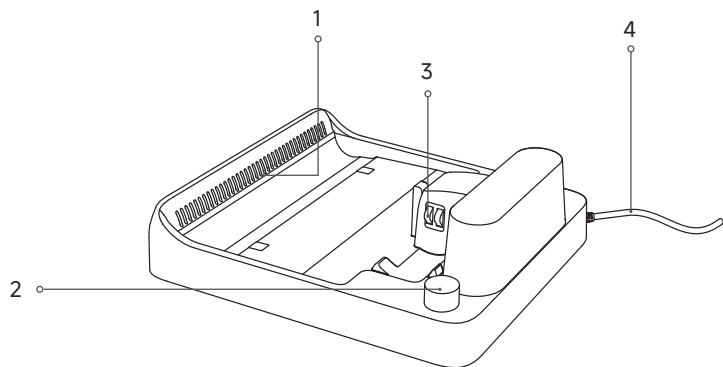
Чистящая щетка

Пылесос



- | | | | | | |
|---|----------------------------------|----|---------------------------|--|------------------------------|
| 1 | ⊞ Кнопка самоочистки | 6 | Бак для отработанной воды | 11 | Ручка бака для чистой воды |
| 2 | ○ Переключатель режимов | 7 | Крышка роликовой щетки | 12 | Кнопка голосовых напоминаний |
| 3 | ⏻ Кнопка питания | 8 | Роликовая щетка | <ul style="list-style-type: none"> • Нажмите один раз, чтобы активировать голосовое напоминание или отрегулировать громкость • Нажмите и удерживайте в течение 3 секунд, чтобы переключиться с одного языка на другой. | |
| 4 | Дисплей | 9 | Ручка роликовой щетки | 13 | Всенаправленное колесо |
| 5 | Ручка бака для отработанной воды | 10 | Бак для чистой воды | | |

База для зарядки



- 1 Выпускное отверстие для воздушной сушики
- 2 Щель отсека для хранения принадлежностей
- 3 Зарядные контакты
- 4 Кабель питания

Дисплей



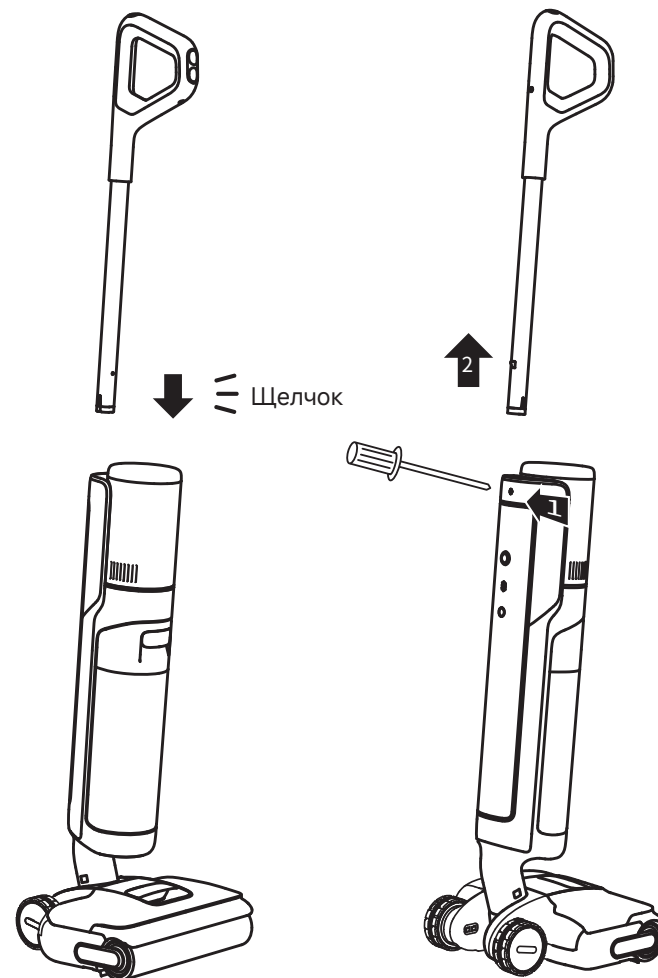
- 1 Режим Турбо
- 2 Умный режим
- 3 Режим сушки
- 4 Зарядный индикатор
- 5 Сообщения об ошибках
 - ☹ Недостаточно чистой воды
 - 🗑 Бак для отработанной воды заполнен
 - 🌀 Трубка засорилась
 - 🌀🌀 Застыла роликовая щетка
 - 🌀🌀🌀 Роликовая щетка и трубка загрязнены
- 6 Концентрация пыли и прогресс выполнения самоочистки/сушки
- 7 Режим самоочистки
- 8 Индикатор заряда аккумулятора
 - Постоянно горит оранжевым: уровень заряда аккумулятора ≤ 20 %
 - Выкл.: уровень заряда аккумулятора > 20 %
- 9 Режим всасывания
- 10 Бесшумный режим

Примечание.

- Если устройство не работает должным образом, на дисплее появляется сообщение об ошибке. Чтобы устранить проблему, обратитесь к таблице «Подсказки об ошибках и решения».
- Информация приводится исключительно для справки. Следует в основном опираться на фактический внешний вид и фактические характеристики дисплея.

Установка ручки

Вставьте конец ручки вертикально в щель в верхней части пылесоса согласно инструкциям так, чтобы раздался щелчок.



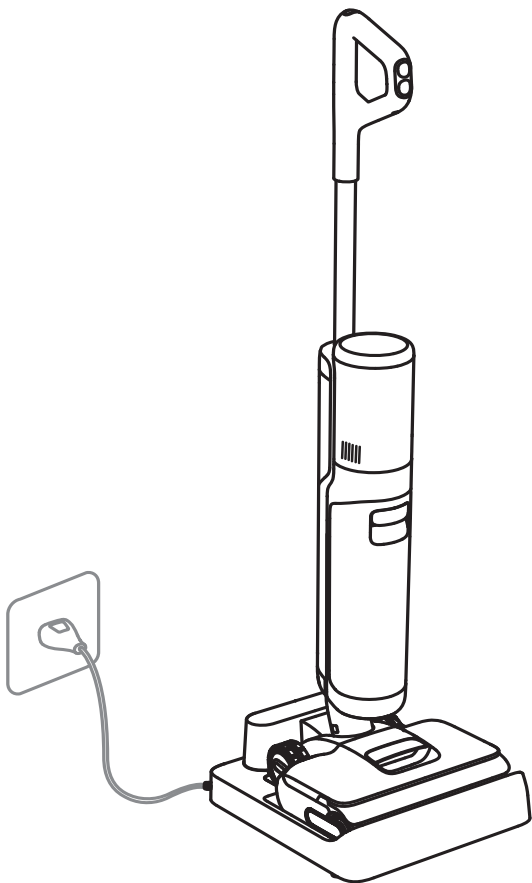
Примечание: для разборки вставьте твердый предмет в отверстие устройства, как показано на рисунке, нажмите на контакты и одновременно потяните ручку вверх.

Зарядка

1. Установите базу для зарядки около стены на ровный пол и подключите ее к источнику питания. Полностью зарядите устройство перед первым использованием.
2. Поместите устройство на базу для зарядки. Когда на дисплее отобразится число 100, аккумулятор полностью заряжен.

⚡ Индикатор зарядки/низкого заряда аккумулятора

- Мигает оранжевым: уровень заряда аккумулятора $\leq 20\%$ (выполняется зарядка)
- Мигает зеленым: уровень заряда аккумулятора $> 20\%$ (выполняется зарядка)
- Постоянно горит зеленым: аккумулятор полностью заряжен



Примечание.

- Если полностью заряженное устройство не используется в течение 10 минут, оно перейдет в спящий режим. Перезапустите устройство, когда вам потребуется использовать его вновь.
- Чтобы продлить срок службы аккумулятора, он автоматически охлаждается (в течение примерно 1 часа) перед повторной зарядкой после того, как устройство непрерывно работало в течение длительного времени. (Время охлаждения составляет примерно 1 час).

Порядок использования

Переключение режимов

Нажимайте , чтобы переключать режимы в соответствии с вашими потребностями.



Режим Турбо
Устройство будет всасывать стойкие пятна на полу.



Умный режим
Интеллектуальная система устройства регулирует мощность всасывания в соответствии со степенью загрязнения пола.



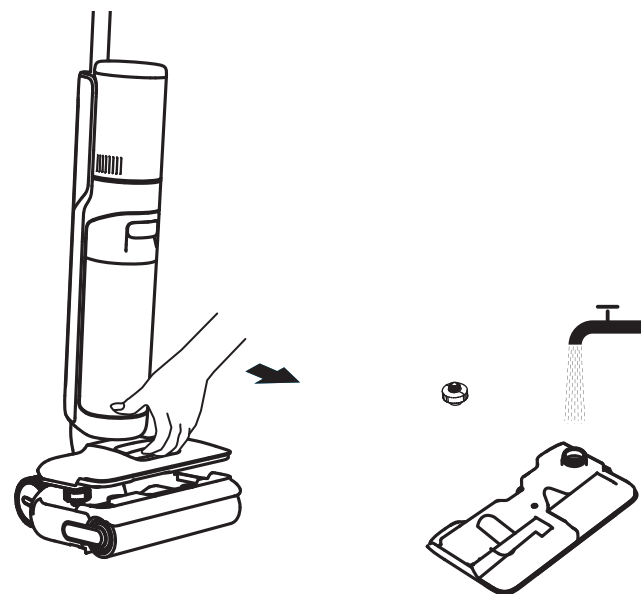
Бесшумный режим
Устройство будет поддерживать среднюю мощность всасывания и низкий уровень шума.



Режим всасывания
Всасывает большое количество воды с пола.

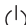

Заполнение бака для чистой воды

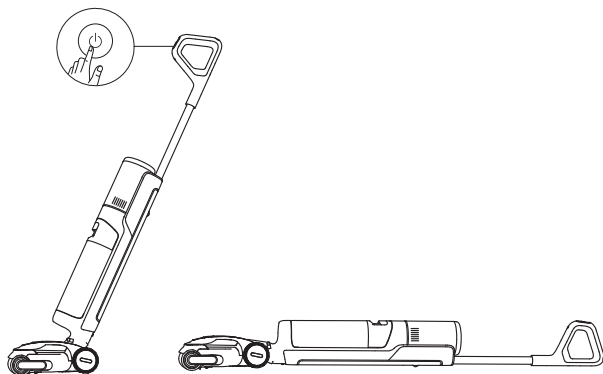
Извлеките бак для чистой воды. Откройте крышку бака и наполните его достаточным количеством чистой воды. Вновь установите бак на место так, чтобы раздался щелчок.



Порядок использования

Начало уборки

Осторожно наступите на крышку щетки и отклоните устройство в сторону. Нажмите  для запуска уборки. Нажимайте , чтобы переключать режимы в соответствии с вашими потребностями.

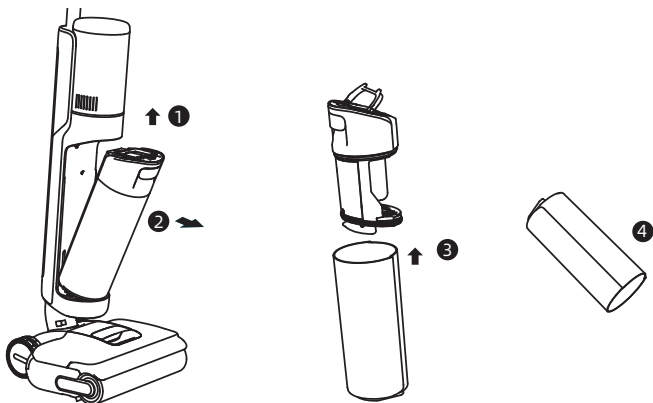


Примечание.

- Запрещается использовать пылесос для уборки пенящихся жидкостей.
- Если во время работы устройство перейдет в вертикальное положение, текущая задача будет приостановлена.
- Устройство подходит только для очистки твердых поверхностей, таких как деревянные полы, мрамор и плитка.
- При использовании устройства прижимайте щетку к полу.
- Не поднимайте и не перемещайте устройство во время работы, чтобы не допустить перетекания грязной воды обратно в электродвигатель.
- запрещается добавлять любые жидкости, кроме официально одобренных чистящих средств. Чистящее средство можно приобрести в официальном интернет-магазине. Ознакомьтесь с инструкциями по применению, размещенными на этикетке чистящего средства.



Опорожнение бака для отработанной воды

Потяните ручку бака для отработанной воды, чтобы извлечь его. Снимите крышку бака и вылейте отработанную воду. Вновь установите бак на место так, чтобы раздался щелчок.




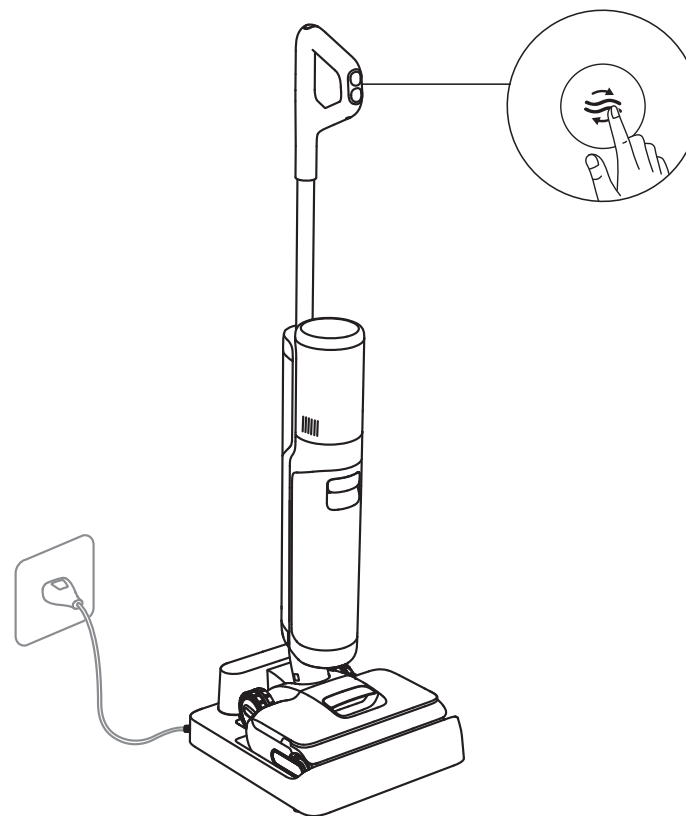
Порядок использования

Режим самоочистки

1. После очистки немедленно верните устройство на базу для зарядки и убедитесь, что бак для чистой воды достаточно наполнен.
2. Один раз нажмите кнопку  в верхней части ручки, чтобы начать/остановить самоочистку. Переключайте режим сушки, следуя голосовым подсказкам.
3. После завершения самоочистки устройство автоматически перейдет в режим сушки. Немедленно вылейте воду из бака для отработанной воды. Для выхода из режима сушки нажмите .

Режим сушки

1. Нажмите и удерживайте кнопку самоочистки  в течение 3 секунд, чтобы активировать режим сушки.
2. После завершения сушки устройство будет заряжено.



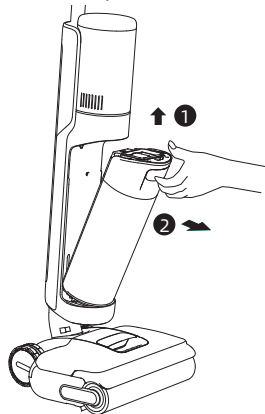
Примечание: функция самоочистки может быть включена, только если устройство заряжается и уровень заряда аккумулятора составляет более 20 %.

Советы

- Перед техническим обслуживанием выключите устройство. Будьте осторожны, чтобы случайно не нажать кнопку питания.
- При необходимости замените детали. Сменные детали можно приобретать только у производителя или в соответствующем сервисном центре.
- Если устройство не используется продолжительное время, полностью зарядите его, выньте штепсельную вилку и оставьте пылесос на хранение в прохладном сухом месте вдали от прямых солнечных лучей. Во избежание чрезмерной разрядки аккумулятора заряжайте устройство не реже одного раза в 3 месяца.

Очистка бака для отработанной воды

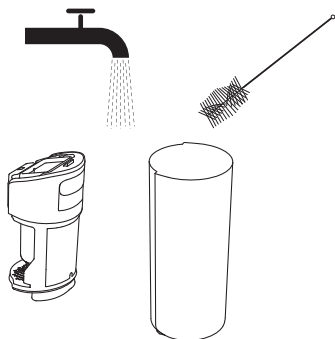
1. Потяните ручку бака для отработанной воды, чтобы вынуть его.



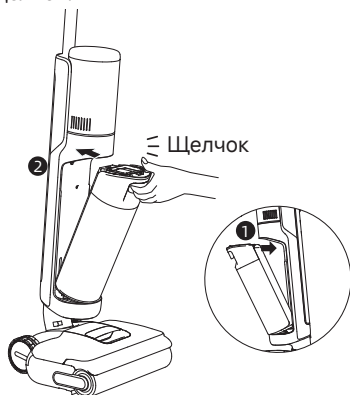
2. Выньте фильтр из крышки бака. Снимите крышку и вылейте отработанную воду.



3. Промойте бак и крышку бака чистой водой. С помощью входящей в комплект поставки чистящей щетки очистите внутренние стенки бака.



4. Вновь установите фильтр и крышку бака. Затем вновь установите бак для отработанной воды так, чтобы раздался щелчок.

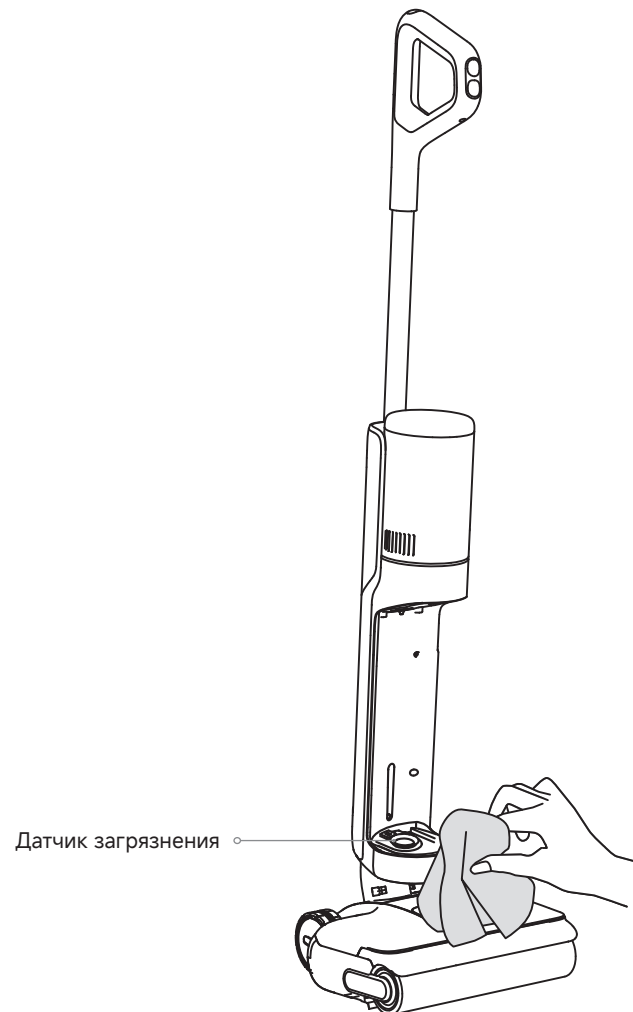


Примечание.

- Если фильтр загрязнен, промойте его чистой водой и полностью высушите перед использованием.
- Рекомендуется выполнять замену фильтра через каждые 3–6 месяцев.

Очистка трубки и датчика загрязнения

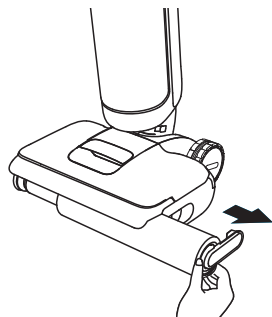
Выньте бак для отработанной воды и аккуратно протрите трубку и датчик загрязнения влажной тканью.



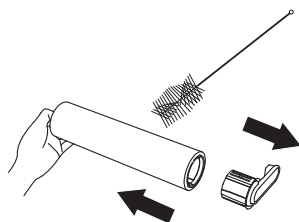
Примечание: не промывайте трубку или датчик загрязнения.

Очистка модуля щетки

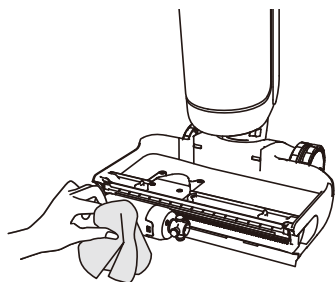
1. Потяните за ручку, чтобы снять роликовую щетку.



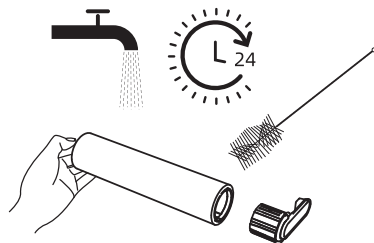
3. Рекомендуется выполнять замену роликовой щетки через каждые 3–6 месяцев. Снимите ручку роликовой щетки, установите новую роликовую щетку, и плотно прижмите ее на место.



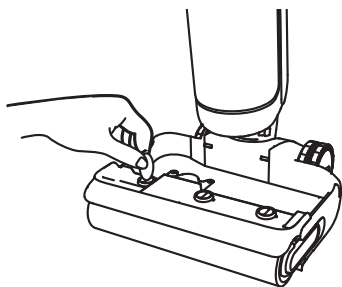
5. Протрите всасывающее отверстие сухой или влажной тканью. Не промывайте его водой.



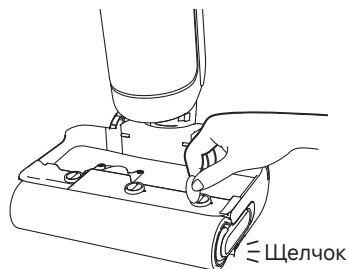
2. С помощью входящей в комплект поставки чистящей щетки очистите роликовую щетку, затем промойте ее чистой водой и полностью высушите.



4. С помощью монеты поверните фиксирующие кнопки на крышке роликовой щетки, чтобы снять ее.



6. Вновь установите роликовую щетку и ручку так, чтобы раздался щелчок. Повторно зафиксируйте крышку щетки.



В случае возникновения ошибки устройство перестанет работать. Для поиска и устранения неисправности обращайтесь к приведенной ниже таблице. Если проблема сохранится, обратитесь в службу поддержки клиентов.

Проблема	Возможная причина	Решение
Устройство не работает.	Устройство разрядилось или уровень заряда низкий.	Полностью зарядите устройство перед использованием.
	Устройство находится в вертикальном положении.	Наклоните устройство назад.
	Из-за блокировки срабатывает защита от перегрева.	Удалите блокирующие предметы и подождите, пока температура вернется в норму.
	Бак для отработанной воды переполнен.	Опорожните бак для отработанной воды.
Устройство заряжается медленно.	Детали не установлены на свое место.	Убедитесь, что все детали стоят на своем месте.
	Температура аккумулятора слишком высокая или слишком низкая.	Подождите, пока температура аккумулятора вернется к нормальному значению.
Сила всасывания устройства слабая.	Фильтр засорился.	Очистите фильтр.
	Всасывающее отверстие или трубка заблокированы посторонним предметом.	Очистите трубку и всасывающее отверстие.
Двигатель издает странный шум.	В баке для отработанной воды слишком много грязной воды.	Опорожните бак для отработанной воды.
	Всасывающее отверстие засорилось.	Удалите предметы, блокирующие всасывающее отверстие.
Индикатор концентрации пыли постоянно горит красным светом.	Требуется очистить датчик загрязнения.	Датчик загрязнения находится в трубке. Следуйте инструкциям по очистке.
	Слишком высокая концентрация чистящего раствора.	Разбавьте чистящий раствор водой в рекомендуемом соотношении.
	Чистящий раствор другого производителя создал слишком много пены.	Используйте только одобренный чистящий раствор.
Дисплей не загорается во время зарядки.	База для зарядки неправильно подключена к электрической розетке.	Убедитесь, что база для зарядки подключена к сети.
	Устройство неправильно установлено на базе для зарядки.	Убедитесь, что устройство правильно установлено на базе для зарядки.
Из устройства не выходит вода.	Бак для чистой воды установлен неправильно или в нем недостаточно воды.	Вновь установите или заполните бак для чистой воды.
	Для намачивания роликовой щетки требуется 30 секунд.	Через некоторое время еще раз проверьте эту функцию.






Устранение неисправностей

Из выпускного отверстия для воздуха вытекает вода.	Из-за удара или резкого движения вода попала в двигатель.	Пока пылесос включен, аккуратно перемещайте его вперед и назад.
	После очистки фильтр был просушен не полностью.	Перед использованием тщательно просушите фильтр.
Сбой самоочистки.	Крупные частицы могут блокировать роликовую щетку.	Снимите крышку роликовой щетки, чтобы проверить и очистить щетку.
	Устройство неправильно установлено на базе для зарядки.	Перед включением функции самоочистки убедитесь, что устройство заряжается.
	Функция самоочистки не может быть включена, если уровень заряда аккумулятора ниже 20 %.	Функция самоочистки может быть включена, только если пылесос заряжается и уровень заряда аккумулятора составляет более 20 %.
	Бак для отработанной воды переполнен.	Опорожните бак для отработанной воды.
	Бак для чистой воды не установлен на своем месте или в нем недостаточно воды.	Вновь установите или заполните бак для чистой воды.
Плохое качество сушки или странный звук во время сушки.	Во впускное и выпускное отверстия для воздуха на базе для зарядки мог попасть мусор.	Проверьте впускное и выпускное отверстия для воздуха и очистите их в случае засора.

Для получения дополнительных услуг свяжитесь с нами по адресу: aftersales@dreame.tech
 Веб-сайт: <https://global.dreame.tech>

Уведомления об ошибках и решения

Если устройство не работает должным образом, на дисплее появится сообщение об ошибке. Чтобы устранить проблему, обратитесь к таблице ниже.

Значок ошибки	Возможная причина	Решение
	Недостаточно чистой воды.	Заполните бак для чистой воды.
	Бак для отработанной воды заполнен.	Опорожните бак для отработанной воды.
	Застыла роликовая щетка.	Очистите роликовую щетку.
	Трубка засорилась.	См. раздел «Уход и техническое обслуживание», чтобы очистить трубку и датчик загрязнения (ниже бака для отработанной воды).
	Роликовая щетка и трубка загрязнились.	Установите устройство обратно на базовую станцию для самоочистки.

Код ошибки	Возможная причина	Решение
E1-E7	Неисправность	Перезапустите устройство. Если проблема сохранится, обратитесь в службу поддержки клиентов.
H1-H6		
H7	Перегрев аккумулятора	Подождите, пока температура аккумулятора вернется к нормальному значению.

Пылесос			
Модель	HNR44A	Номинальная мощность	400 W
Номинальное напряжение	21,6 V ===	Напряжение зарядки	27 V ===
Объем бака для чистой воды	780 mL	Объем бака для отработанной воды	700 mL
Время зарядки	Около 4 ч	Время работы	50 мин (бесшумный режим)
База для зарядки			
Модель	HCBAR	Номинальное входное напряжение*	380 W
Номинальный вход	220-240 V ~ 50-60 Hz	Номинальный выход	27 V === 1,6 A

* Номинальная входная мощность относится к мощности, измеренной в течение репрезентативного цикла перехода в режим сушки.

Извлечение и утилизация аккумулятора

Встроенный литий-ионный аккумулятор содержит вещества, представляющие опасность для окружающей среды. Перед утилизацией аккумулятора в соответствующем пункте переработки его должен извлечь из устройства квалифицированный специалист.

- Перед утилизацией аккумулятора необходимо извлечь из устройства.
- Перед извлечением аккумулятора необходимо отключить устройство от источника энергии.
- Аккумулятор необходимо утилизировать безопасным способом.

ВНИМАНИЕ!

- Перед извлечением аккумулятора отключите устройство от источника питания и максимально израсходуйте заряд аккумулятора.
- Ненужные аккумуляторы необходимо утилизировать в приспособленном для этого месте.
- Во избежание взрыва не подвергайте аккумулятор воздействию высоких температур.
- При нарушении правил эксплуатации из аккумулятора может вылиться жидкость. В случае контакта с такой жидкостью промойте пораженный участок водой и обратитесь за медицинской помощью.

Инструкция по извлечению

1. С помощью подходящих инструментов снимите дисплей.
2. С помощью подходящих инструментов извлеките винты, фиксирующие крышку аккумуляторного блока, а затем снимите крышку.
3. Отсоедините клеммы, соединяющие аккумулятор с материнской платой, затем выньте аккумулятор.

Гарантия

1. Компания Dreame несет ответственность перед потребителем за любое несоответствие материала или качества изготовления, которое не было обнаружено в момент покупки.
2. Срок действия гарантии: для получения более подробной информации обратитесь в службу поддержки клиентов. Если на территории, где находится потребитель, действуют иные правила, то они имеют преимущественную силу.
3. Гарантия не действует в указанных ниже случаях.
 - а) Проблемы, вызванные небрежным обращением с устройством, а также несоблюдением инструкций по его установке и эксплуатации, предоставленных компанией Dreame.
 - б) Вскрытие и (или) модификация устройства лицами или организациями без прямого разрешения компании Dreame.
 - в) Повреждения, возникшие по случайным причинам и (или) вследствие халатности со стороны потребителя, особенно в отношении внешних деталей.
 - г) Детали, подверженные износу, но не имеющие производственных дефектов.
 - д) Отсутствие документа (квитанции, счета-фактуры или иного документа), подтверждающего дату покупки устройства.
 - е) Модель и (или) номер изделия в документе о покупке не соответствуют модели и (или) номеру, указанным на изделии.
4. Более подробную информацию о гарантии можно найти на официальном сайте Dreame: <https://global.dreametech.com>