

MCHOSE

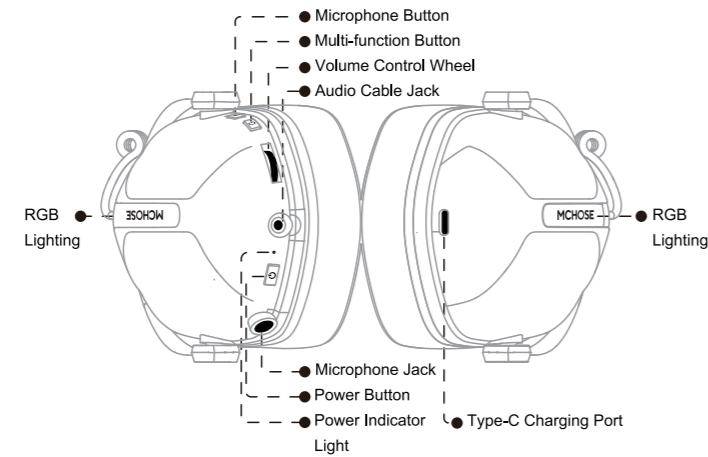
user's manual

MCHOSE

S9 Pro Gaming Headset

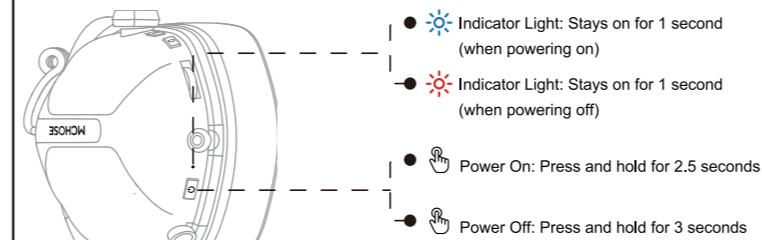
Warm Reminder: The product images shown are for illustrative purposes only; the actual product shall prevail.

Product Overview

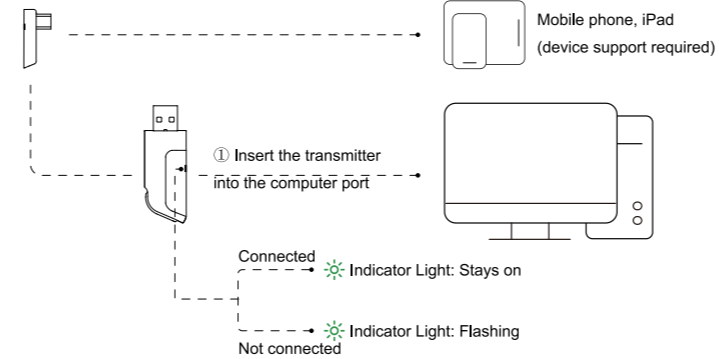


The driver is only compatible with Windows 10 and above systems. The receiver must be plugged in before installing the driver. The device restart is required after installation.

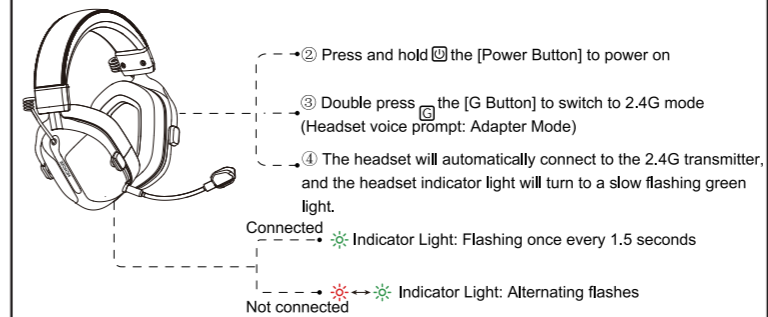
Power On/Off



2.4G Connection

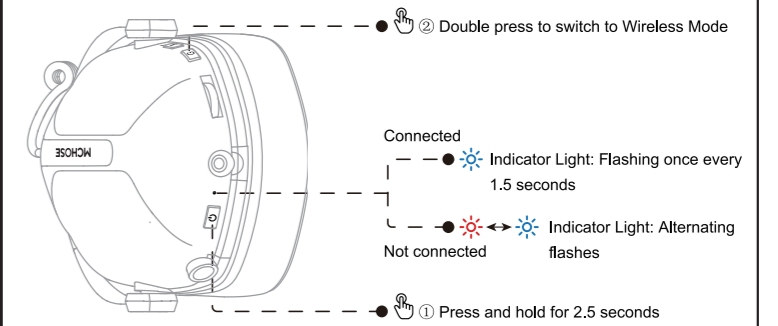


2.4G Connection



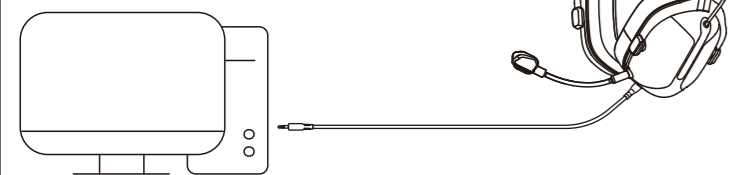
*To use the Type-C port, simply remove it from the side of the adapter and insert it into the device. If using a USB connection, make sure to fully insert the Type-C port back into the side of the adapter to use it.
*2.4G Manual Pairing (Factory default paired): In 2.4G mode, press and hold the [Power Button] and [Microphone Button] until the indicator light flashes white 3 times. Then, insert the USB transmitter into the computer. When the transmitter's green indicator light stays steady, the 2.4G re-pairing is successful.
*For manual pairing, keep the headset as close to the transmitter as possible.

Wireless Connection

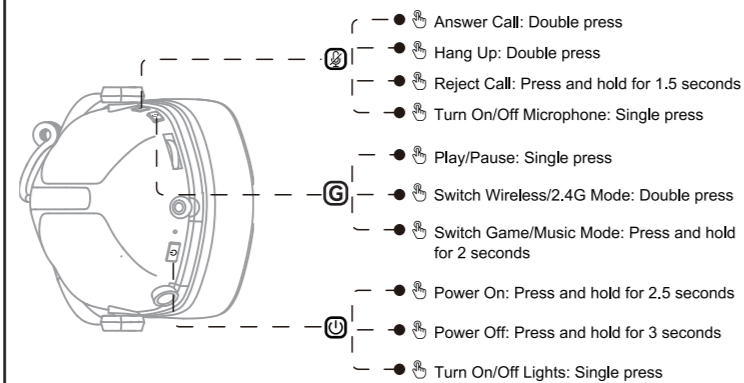


Wired Connection

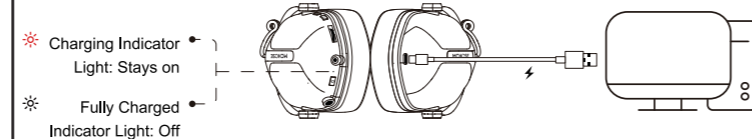
After inserting the 3.5mm audio cable when the headset is powered on, the headset will automatically turn off, i.e. enter wired mode. The headset in wired mode has only the volume knob functional, all other buttons are non-functional.



Button Functions



Charging Function



When you hear the message "Low Battery" or the [Power Indicator Light] flashes red every 1.5 seconds, please charge the headset promptly.

Note: This device has been tested and complies with the limits for Class B digital devices under Part 15 of the FCC Rules. These limits are designed to provide reasonable protection against harmful interference in residential installations. This device generates, uses, and can radiate radio frequency energy, and if not installed and used in accordance with the instructions, may cause harmful interference to radio communications. However, there is no guarantee that interference will not occur in a particular installation. If this device does cause harmful interference to radio or television reception (which can be determined by turning the device off and on), we encourage the user to try one or more of the following measures to correct the interference:
- Reorient or relocate the receiving antenna.
- Increase the separation between the equipment and the receiver.
- Connect the equipment to an outlet on a circuit different from that to which the receiver is connected.
- Consult the dealer or an experienced radio/TV technician for help.
Changes or modifications not expressly approved by the responsible party could void the user's authority to operate the equipment.
This device complies with Part 15 of the FCC Rules. Operation is subject to the following two conditions:
(1) This device may not cause harmful interference.
(2) This device must accept any interference received, including interference that may cause undesired operation.

CHARGING INSTRUCTIONS

- It is recommended to charge the keyboard only via a computer USB port.
- Avoid using substandard or non-compliant power adapters to charge the keyboard.
- Avoid using over-voltage or over-current power adapters for charging.
- Keep the keyboard away from high-temperature devices while charging.
- Please turn off the power switch if the device will not be used for an extended period.

These charging instructions also apply to other rechargeable devices (keyboard/mouse/headphones/speakers, etc.).

WARRANTY CARD

Thank you for purchasing our product. Please contact us if there are any quality issues within the warranty period. Please provide this warranty card so we can provide comprehensive after-sales service.

Product Items: _____ Customer Name: _____

Serial No. : _____ Contact Address: _____

Purchase Date: _____ TEL / E-mail: _____

Purchase Channel: _____ Postcode: _____