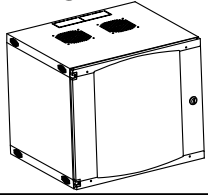


## Package Contents



Max.  
60kg



## Item list of accessories package

<b>E</b>	<b>F</b>	<b>G</b>	<b>H</b>	<b>I</b>	<b>J</b>	<b>K</b>	<b>L</b>	<b>M</b>
1X Usage Instruction	10x M6x12mm screw & nets (20pcs for over 12U)	15x M5x10mm screw	1x Guide piece 1x M4x10mm screw	4x M5 nut	2x M5x14mm screw	2x Key	4x Baffle	1X Label

## Required for installation



drill



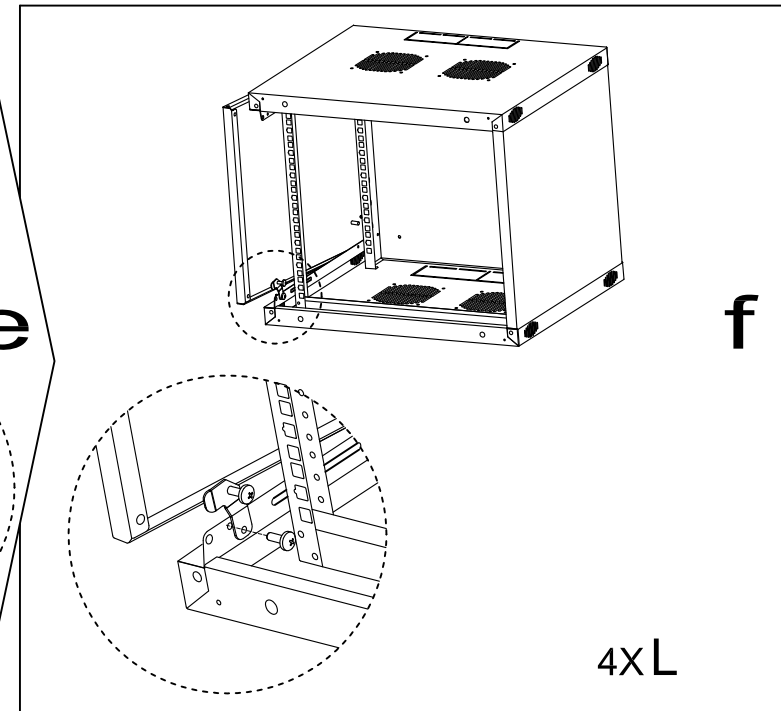
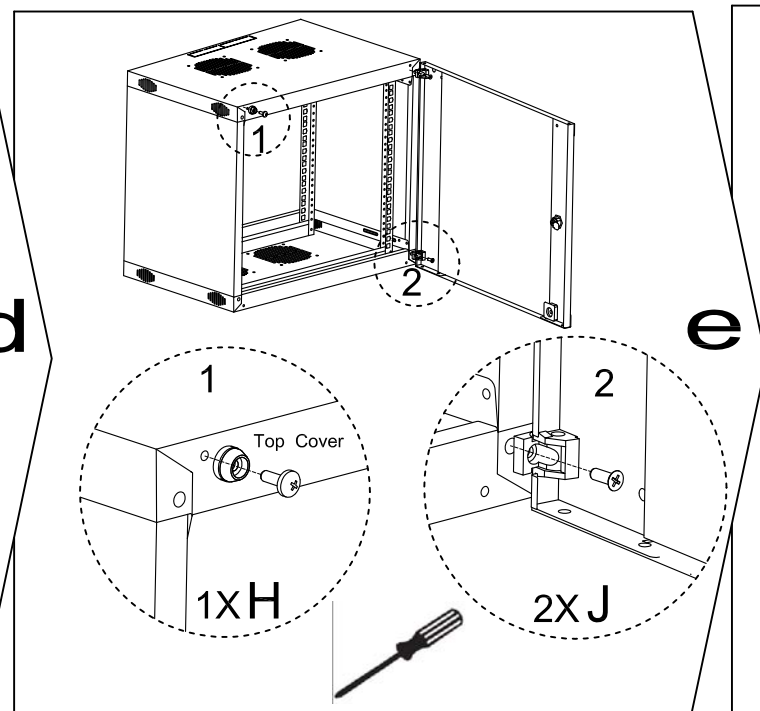
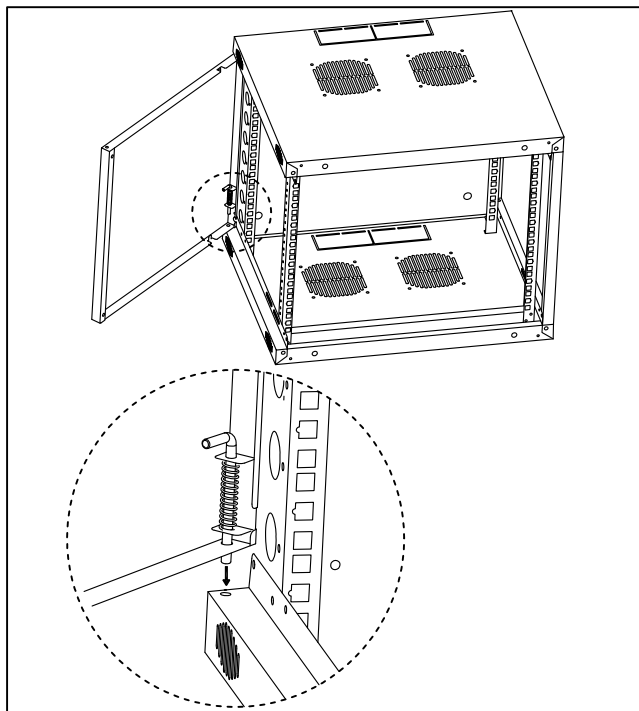
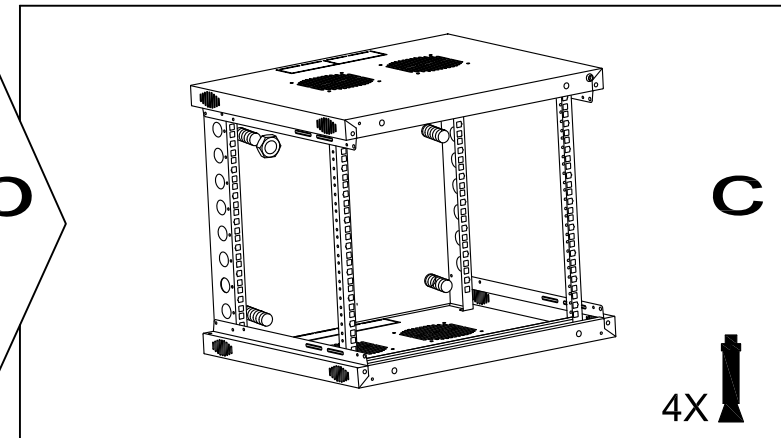
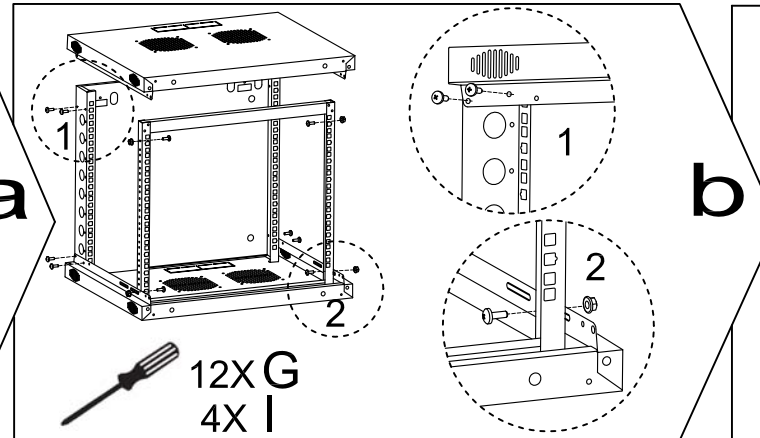
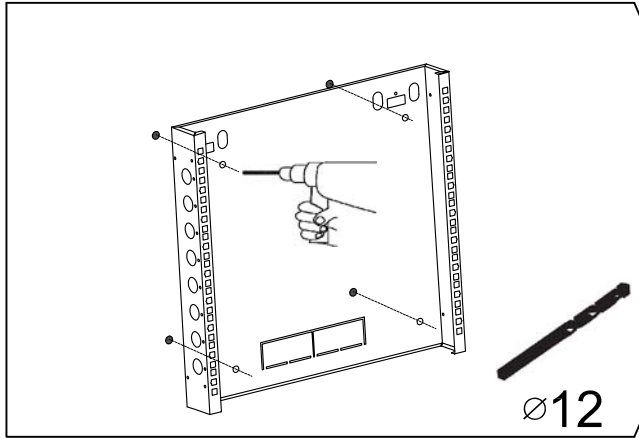
∅12 drill bit

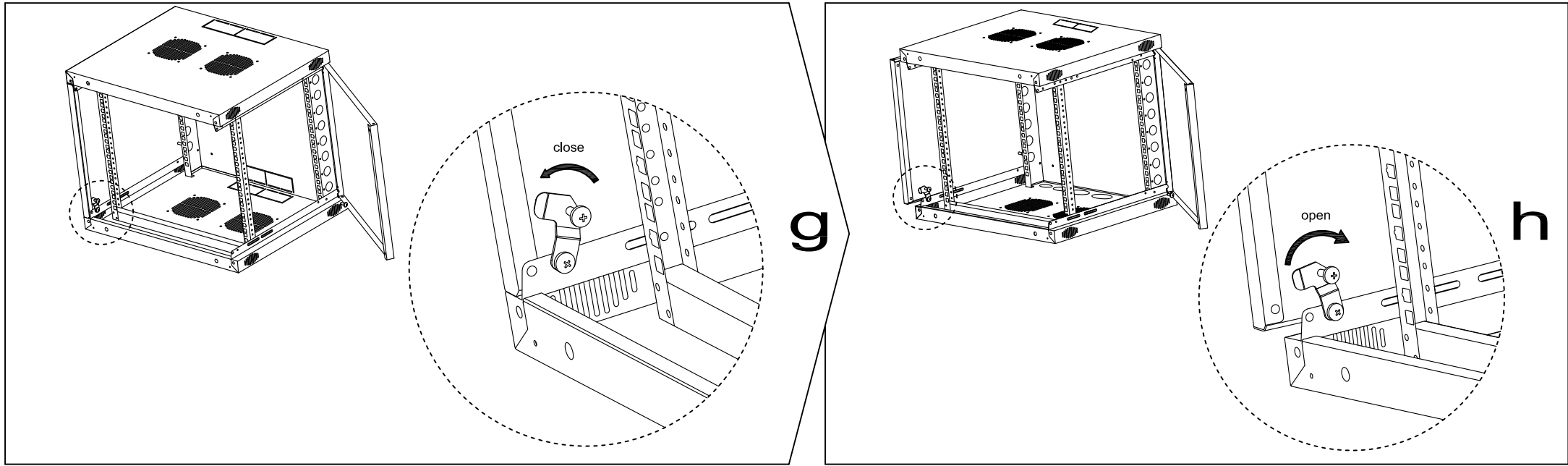


screwdriver



M8 expansible bolt





## Earthing installation

