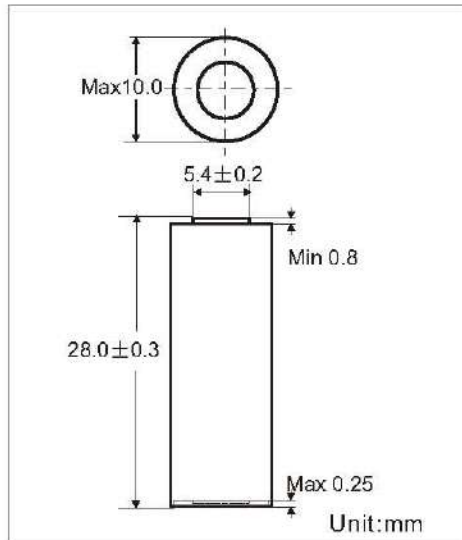


ALKALINE BUTTON CELL

Document Title: PB0323A

23A

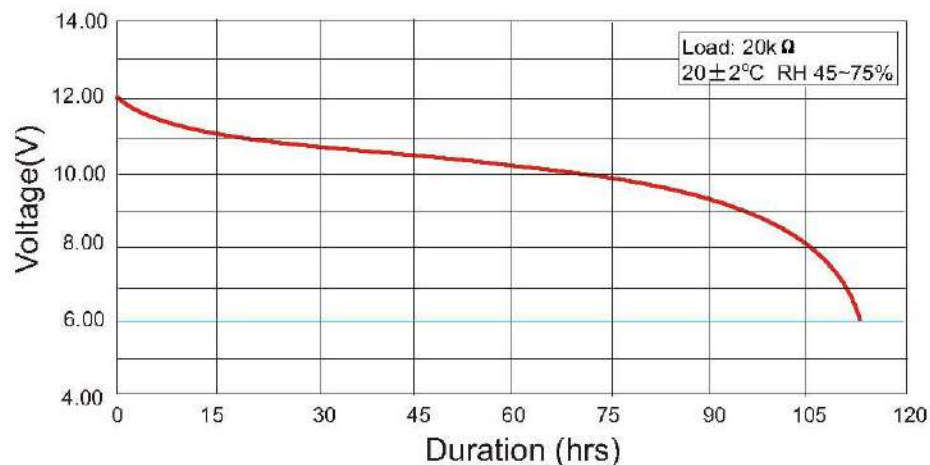


Chemical System : Primary Alkaline
Camelion No. : 23A
Average Weight : 7.9g
Dimension (∅ x H) : 10.0 x 28.3 mm
Terminals : Flat
Nominal Voltage : 12.0Volts
Nominal Service Capacity: 55mAh
 (20±2°C , Rated at 20kΩ load to 6.0V)
Jacket : Metal Label
 Operating Temperature: -20°C~54°C
Cross Reference : EL12(Japan), VR22(Ranson)

Discharge Characteristic

Load Resistance	Cut Off Voltage	Discharge Pattern	Duration
20.0kΩ	6.00V	24hrs/day	108hrs

Discharge Curve



Notice:

This information is subject to change without prior notice and for reference only. It should not be used as a basis for a product guarantee or warranty. For additional information, please consult your nearest Camelion Sales Office or Distributor or visit our website at: www.camelionbattery.com.