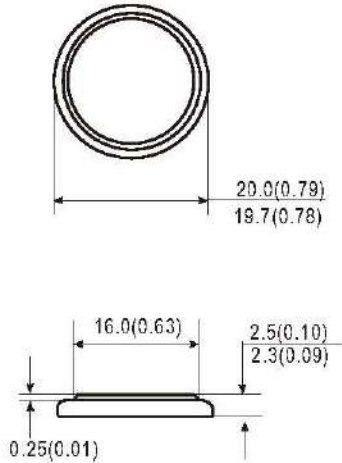


LITHIUM BUTTON CELL

Document Title: PB042025

CR2025



Unit:mm(inch)

Chemical System : Lithium/Manganese Dioxide

IEC Name: CR 2025

ANSI/NEDA: 5003LC

Camelion Model : CR2025

Average Weight : 2.5g

Dimension(\varnothing x H): $20.0^{+0.3} \times 2.5^{+0.2}$ mm
 $0.79^{+0.01} \times 0.10^{+0.01}$ inch

Terminals: Flat

Nominal Voltage : 3.0Volts

Capacity : 150mAh

($20 \pm 2^\circ\text{C}$, Rated at $15\text{k}\Omega$ to 2.00V)

Standard Discharge Current: 0.2mA

Max. Continuous Discharge Current: 0.5mA

Max. Pulse Discharge Current: 15.0mA

Operating Temperature: $-20^\circ\text{C} \sim 60^\circ\text{C}$

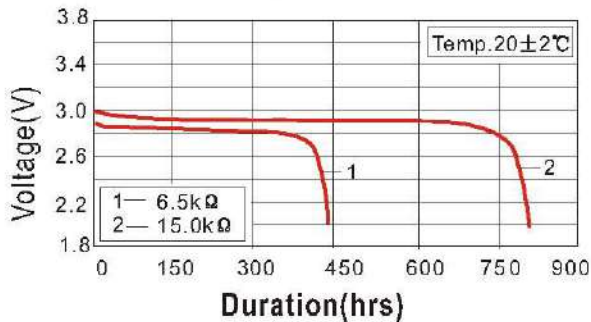
Storage Conditions

Temperature: $-20^\circ\text{C} \sim 45^\circ\text{C}$

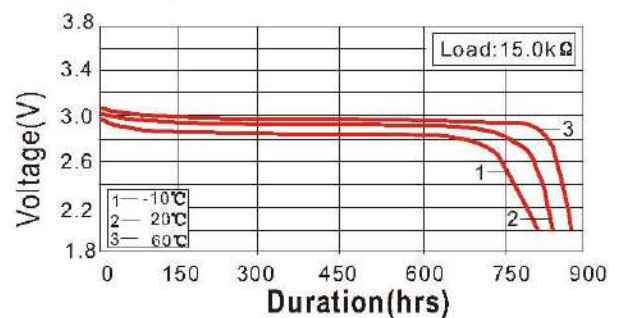
Relative Humidity: $60 \pm 15\%$

Cross Reference: E-CR2025(Energizer),
 DL2025(Duracell),KECR2025(Rayovac)

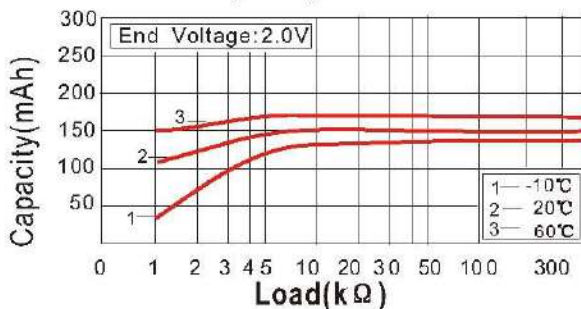
Discharge characteristics



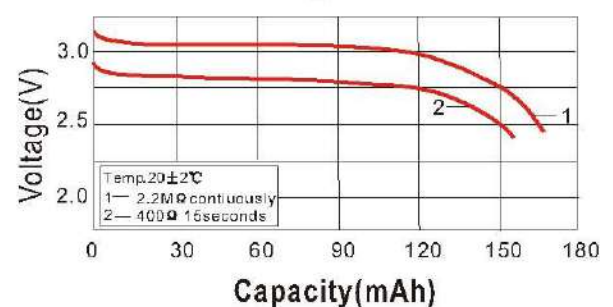
Temperature Characteristics



Load-capacity characteristic



Pulse Discharge Characteristic



Notice:

Environmental elements comply with RoHS requirements. This information is subject to change without prior notice and for reference only. It should not be used as a basis for a product guarantee or warranty. For additional information, please consult your nearest Camelion Sales Office or Distributor or visit our website at: www.camelionbattery.com.