

USB EXTENDER User Manual

Special Notification

- ※ Before using this product, please read this manual carefully.
- ※ Please keep this manual for future reference.
- ※ The company may change the function of product without notice.

Summary

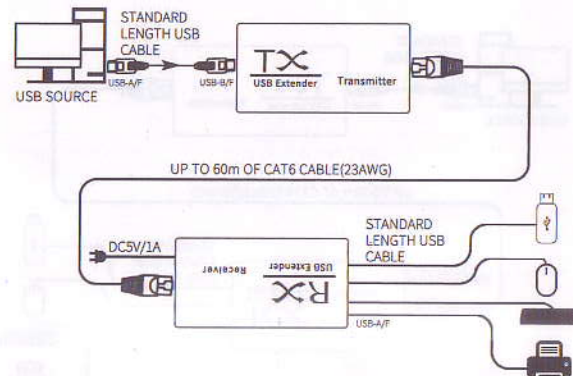
This item is made by two single unit, Transmitter and Receiver. transmission by CAT5E/CAT6 UTP cable (same line orders with ethernet). No need extra install software. The max distance between Transmitter and Receiver can reach 200 meters when using CAT6 UTP cable. It is a ideal product in extend keyboard, mouse, writing pad and game controller, etc. USB devices.

Features

- One CAT5E/6 cable can instead of USB cable to transmit long distance.
- Using CAT6 cable support USB2.0 device transmit up to 60 meters.
- Using CAT6 cable can make the the low-speed devices transmit keyboard, mouse etc. device extend up to 200 meters.
- Compliant with USB 2.0 USB 1.1.
- Supports major operating systems: Windows, Mac OS X, Linux etc.
- Supports full-speed(480Mbps) and low speed (1.5Mbps) USB device.
- Plug and Play, no driver installation needed.
- Support swap function, plug and play.
- Simple installation.

(To prevail in kind)

System connection diagram



Specifications

| | |
|------------------------------|---------------------------------------|
| USB input interface | 1x USB-B/F |
| USB output interface | 4x USB-A/F |
| Compatible USB version | USB1.1 and USB2.0 |
| Wiring method | -IEEE-568B |
| Maximum working current | <200mA CAT6 standard cable |
| Input cable distance | <5m USB standard cable |
| Output cable distance | <5m USB standard cable |
| Supports data transfer rates | 480Mbps |
| Power Adapter Specifications | AC(50/60HZ):100V-240V,DC Output:5V/1A |
| Operating temperature range | 0~40℃ |
| Operating humidity range | 5~85% RH (non-condensing) |
| Transmitter Dimension(LXWXH) | 80×46×19mm |
| Transmitter Weight | 85g |
| Receiver Dimension(LXWXH) | 80×46×19mm |
| Receiver Weight | 92g |

The matters needing attention of installation

- In order to ensure the reliable performance of the equipment and the safety of the user, please observe the following matters during the process of installation, use and maintenance.
- Please do not use this product in the following places: the place of dust, soot and electric conductivity dust, corrosive gas, combustible gas; the place exposed to high temperature, condensation, wind and rain; the occasion of vibration and impact. Electric shock, fire, wrong operation can lead to damage and deterioration to the product, either;
 - Should avoid wiring and inserting cable plug in charged state, otherwise it is easy to cause the shock, or electrical damage;
 - The installation and wiring should be strong and reliable, contact undesirable may lead to false action;
 - This product grounds by the grounding wires. To avoid electric shocks, grounding wires and the earth must be linked together. Before the connection of input or output terminal, please make sure this product is correctly grounded;
 - Only after cutting down all external power source, can install, wiring operation begin, or it may cause electric shock or equipment damage;
 - Please do not dismantle the equipment, avoid damaging the internal electrical component.